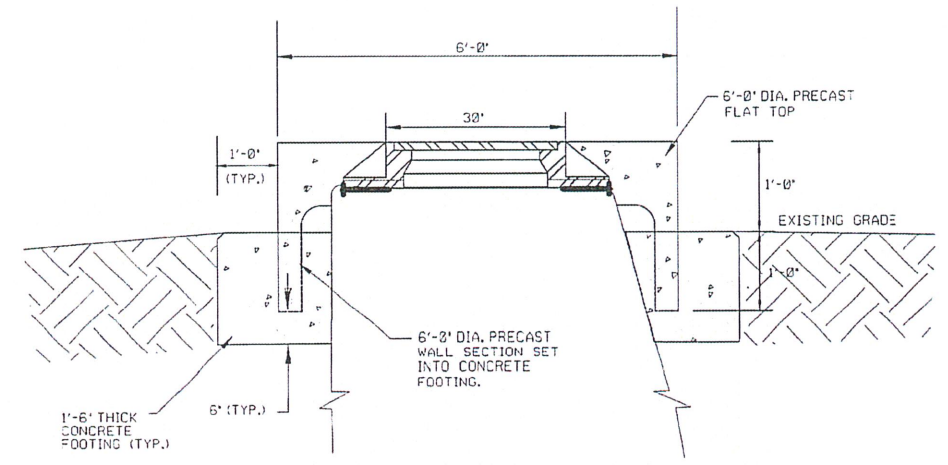
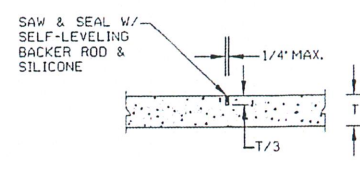


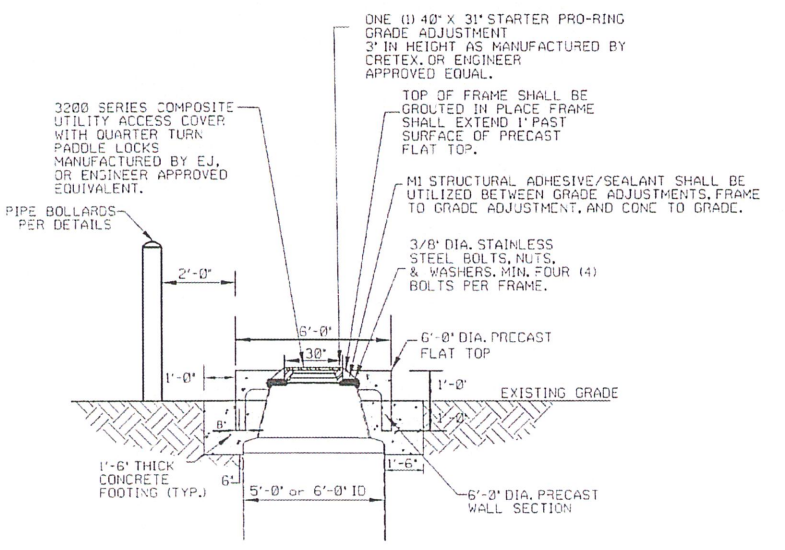
8' or 9'- ID FRP MANHOLE WITH 6'- ID PRECAST WALL SECTION AND FLAT TOP
N.T.S.



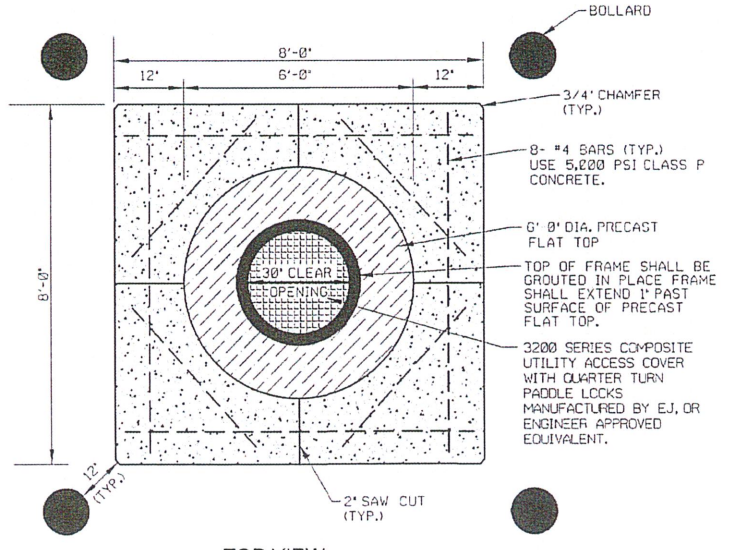
PRECAST WALL SECTION AND FLAT TOP
N.T.S.



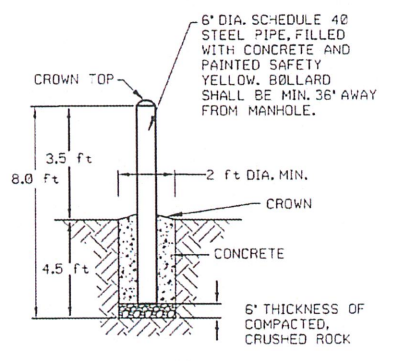
TYPE D SAWED CONTRACTION JOINT
N.T.S.



5' or 6'- ID TEE BASE MANHOLE WITH 6'- ID PRECAST WALL SECTION AND FLAT TOP
N.T.S.



TOP VIEW
MANHOLES
IN UNPAVED FLOODPLAIN AREAS
N.T.S.



BOLLARD DETAIL
N.T.S.

NOTE:
1. PIPE BOLLARDS SHALL BE POWDER COATED SAFETY YELLOW

PATH MAPS/EI/PARTS/STD/004-STD/STDS/369-ELEVATED FRP MH DETAILS.DGN JUN 11/17/2023

REVISION	BY	DATE

[Signature]
CITY ENGINEER

[Signature]
DESIGN MANAGER

CITY OF TULSA, OKLAHOMA
PUBLIC WORKS DEPARTMENT

STANDARD ELEVATED FRP
MANHOLE DETAILS

DATE: AUGUST 2023

STD. 369