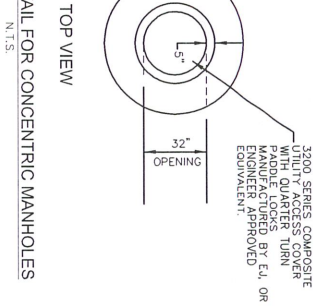
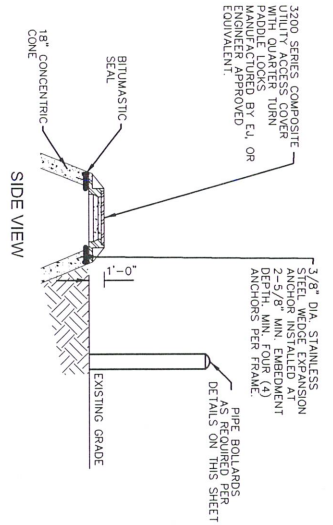
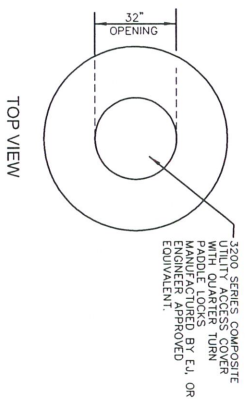
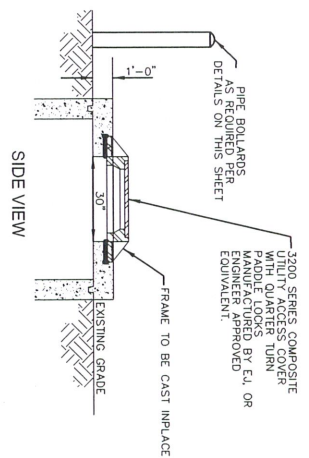


ELEVATED DETAIL FOR ECCENTRIC MANHOLES
N.T.S.

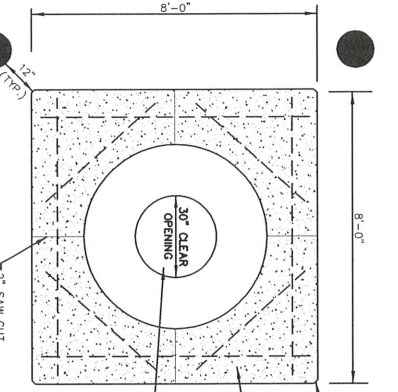
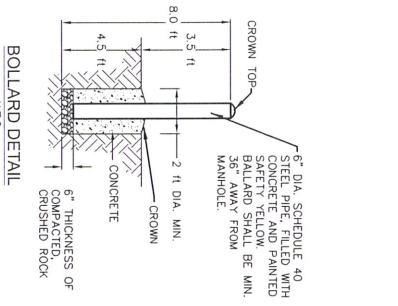


ELEVATED DETAIL FOR CONCENTRIC MANHOLES
N.T.S.



ELEVATED DETAIL FOR FLAT TOP MANHOLES
N.T.S.

- NOTES:
1. ALL MANHOLE COVERS SHOWN ON THIS SHEET SHALL BE FURNISHED WITH WATER RESISTANT GASKETS.
 2. ALL OTHER COMPONENTS OF PRECAST CONCRETE MANHOLES SHALL BE PER CITY OF TULSA STANDARD DETAIL NO. 331, 356, 357, AND 358 AS APPLICATED.



MANHOLES IN UNPAED FLOODPLAIN AREAS
N.T.S.

REVISION	BY	DATE

DESIGN ENGINEER
[Signature]

CITY OF TULSA, OKLAHOMA
PUBLIC WORKS DEPARTMENT
STANDARD ELEVATED MANHOLE
DETAILS FOR FLOODPLAIN
CONSTRUCTION
DATE: AUGUST 2023