



**PUBLIC WORKS**  
Engineering

**DATE:** April 9, 2024

**TO:** PAUL ZACHARY,  
PUBLIC WORKS DEPUTY  
DIRECTOR

**FROM:** H. SOMDECERFF, *HAS*  
PUBLIC WORKS DESIGN  
MANAGER

**Standards and Specifications for Sanitary Sewer Long Service.**

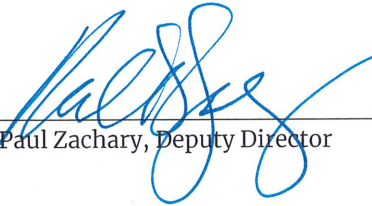
The Specification Review Committee recommends and asks the Public Works Deputy Director to approve the following:

- 1. Approve Standard No. 371, Standard Detail for Sanitary Sewer Long Service.

Please call me at (918) 596-7355 If you have any questions.

Thank you,

APPROVED:

  
\_\_\_\_\_  
Paul Zachary, Deputy Director

5/3/24  
\_\_\_\_\_  
Date

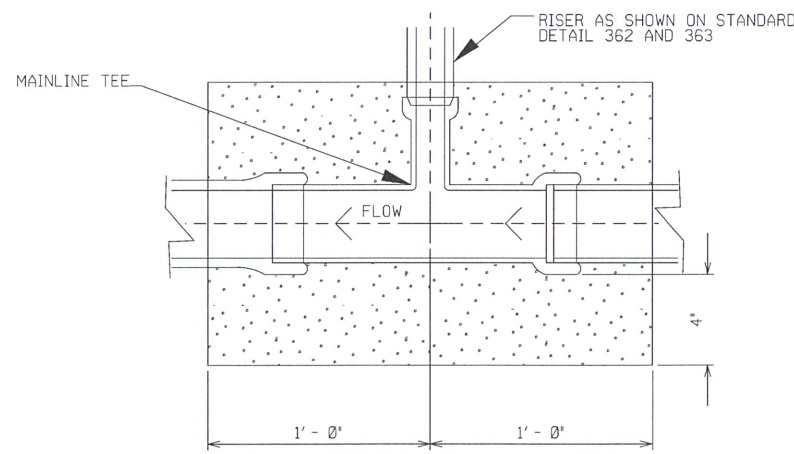
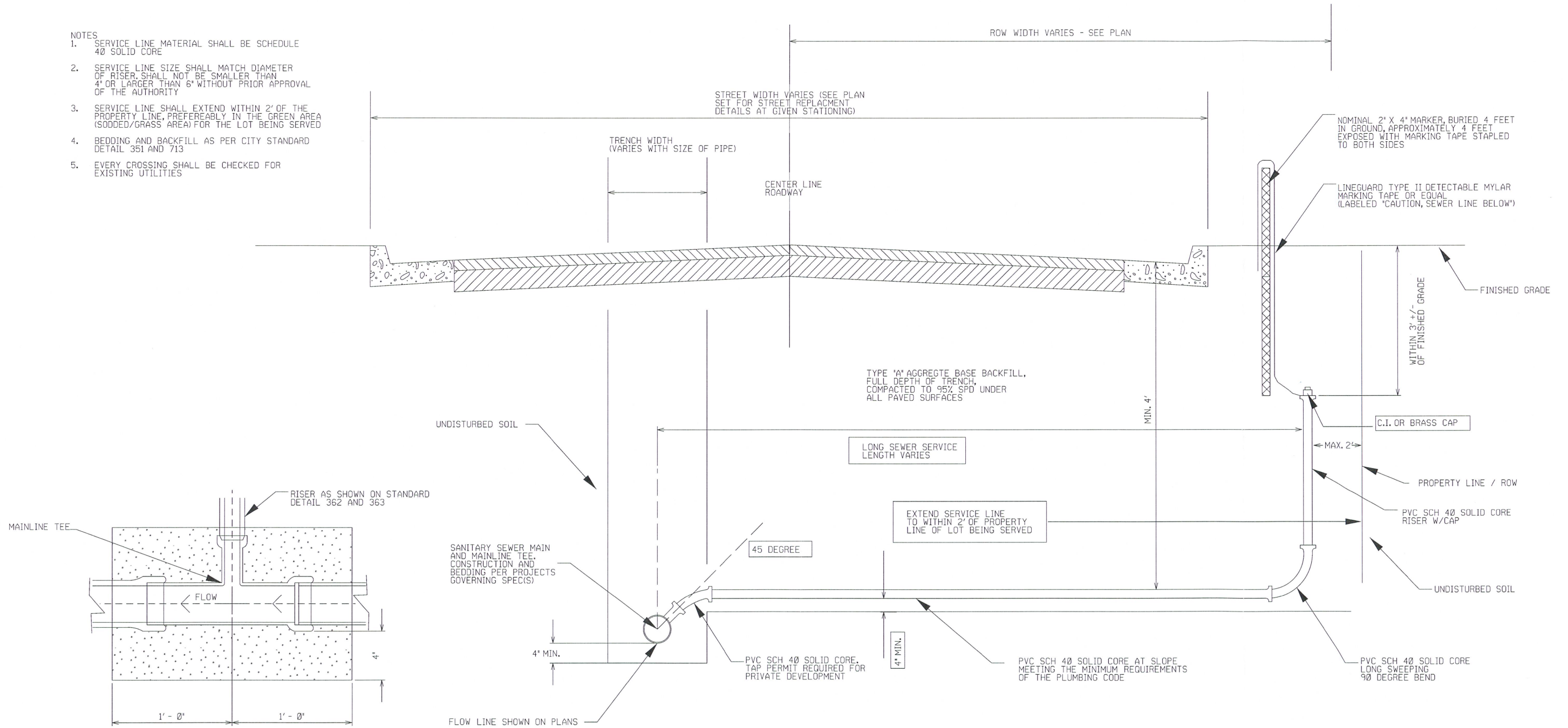
1836 \* 1898



TUL \* USA

Cc: Engineering Services Department Specification Review Committee

PATH NAME: /E1/PARTS/STD/DGN\_STDS/371- SAN SEWER LONG SERVICE DGN. DN 04/9/2024

- NOTES
- SERVICE LINE MATERIAL SHALL BE SCHEDULE 40 SOLID CORE
  - SERVICE LINE SIZE SHALL MATCH DIAMETER OF RISER. SHALL NOT BE SMALLER THAN 4" OR LARGER THAN 6" WITHOUT PRIOR APPROVAL OF THE AUTHORITY
  - SERVICE LINE SHALL EXTEND WITHIN 2' OF THE PROPERTY LINE, PREFEREABLY IN THE GREEN AREA (SODDED/GRASS AREA) FOR THE LOT BEING SERVED
  - BEDDING AND BACKFILL AS PER CITY STANDARD DETAIL 351 AND 713
  - EVERY CROSSING SHALL BE CHECKED FOR EXISTING UTILITIES



 CITY ENGINEER			CITY OF TULSA, OKLAHOMA ENGINEERING SERVICES DEPARTMENT												
 DESIGN MANAGER															
<table border="1"> <thead> <tr> <th>REVISION</th> <th>BY</th> <th>DATE</th> </tr> </thead> <tbody> <tr> <td> </td> <td> </td> <td> </td> </tr> <tr> <td> </td> <td> </td> <td> </td> </tr> <tr> <td> </td> <td> </td> <td> </td> </tr> </tbody> </table>			REVISION	BY	DATE										STANDARD DETAIL FOR SANITARY SEWER LONG SERVICE
REVISION	BY	DATE													
DATE: APRIL 2024			STD. 371												