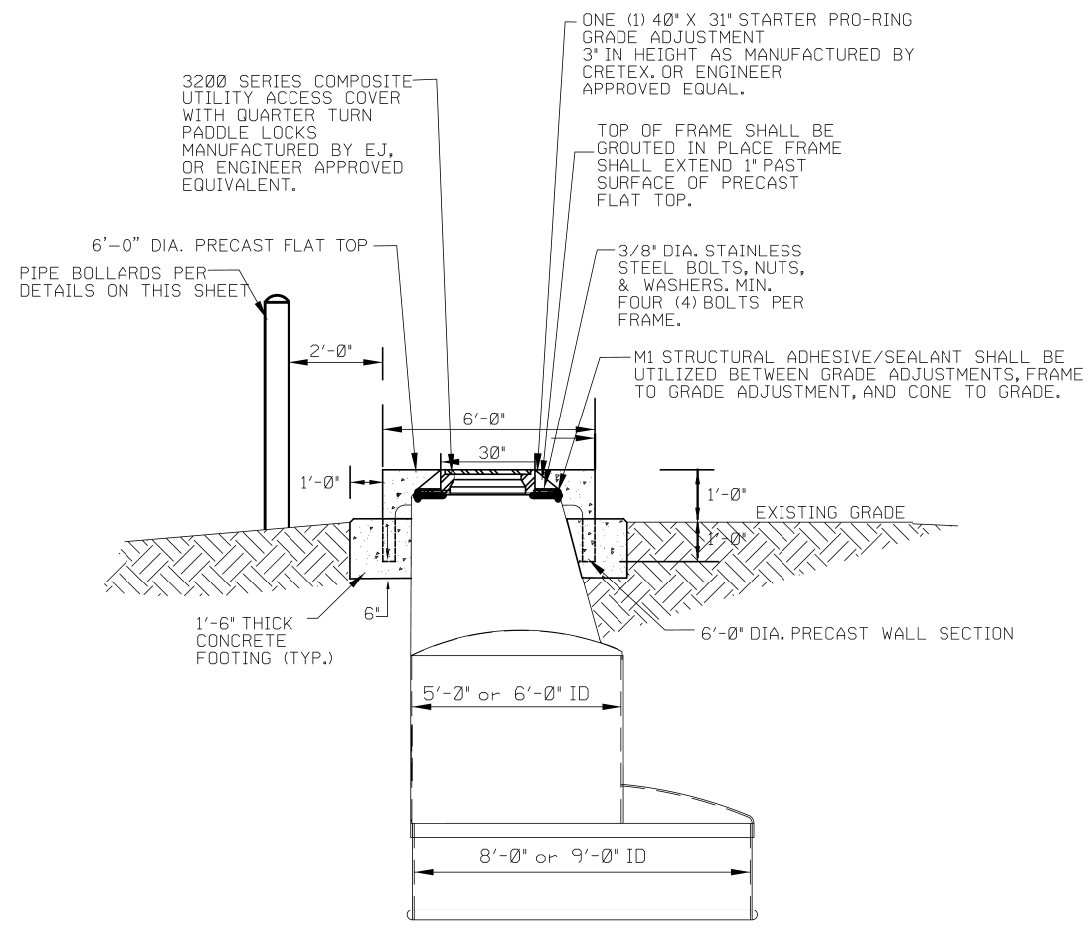
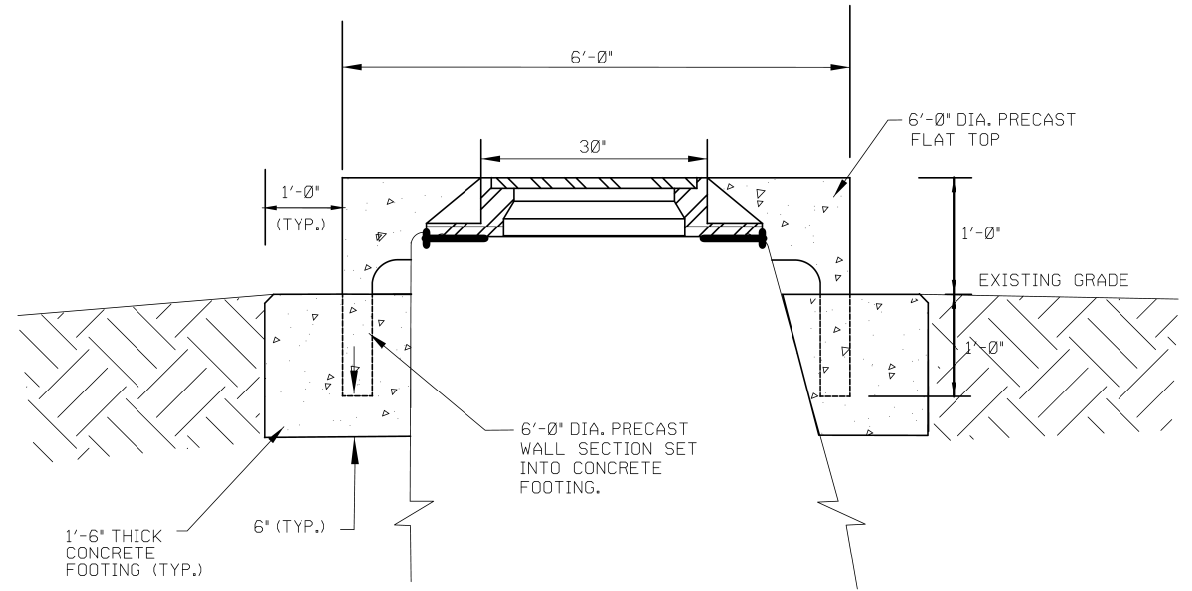


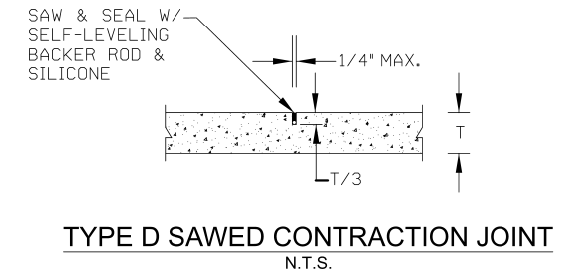
PATH NAME: /E1/PARTS/STD/DGN_STDS/369-ELEVATED FRP MH DETAILS.DGN C.JN 11/14/2023



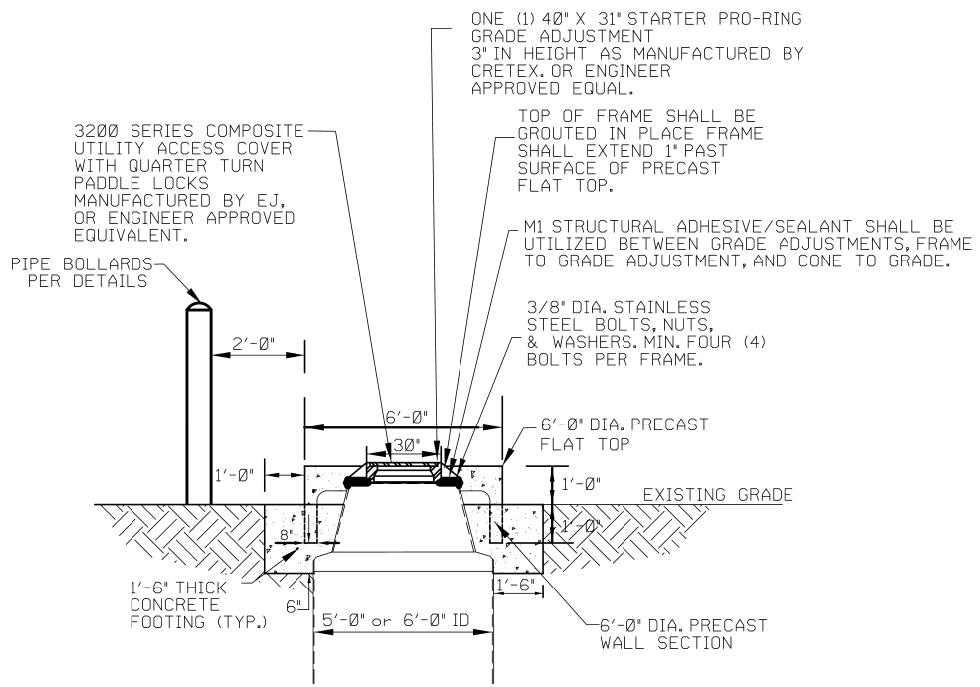
8' or 9'- ID FRP MANHOLE WITH 6'- ID PRECAST WALL SECTION AND FLAT TOP
N.T.S.



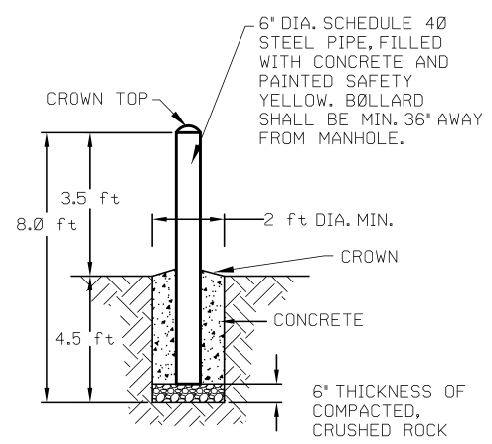
PRECAST WALL SECTION AND FLAT TOP
N.T.S.



TYPE D SAWED CONTRACTION JOINT
N.T.S.

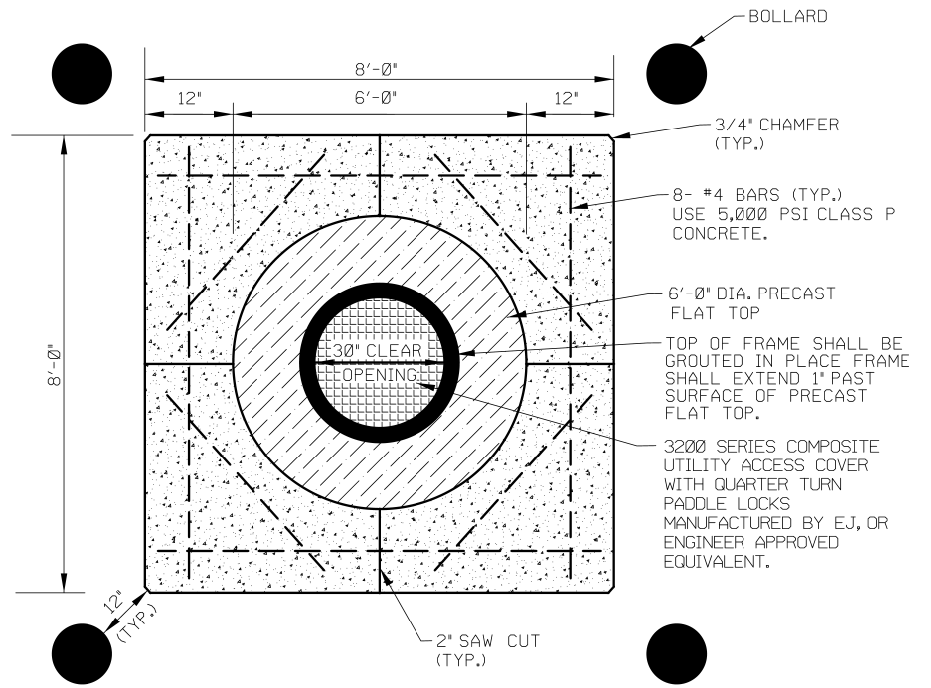


5' or 6' - ID TEE BASE MANHOLE WITH 6'- ID PRECAST WALL SECTION AND FLAT TOP
N.T.S.



NOTE:
1. PIPE BOLLARDS SHALL BE POWDER COATED SAFETY YELLOW

BOLLARD DETAIL
N.T.S.



**TOP VIEW
MANHOLES
IN UNPAVED FLOODPLAIN AREAS**
N.T.S.

REVISION	BY	DATE

CITY ENGINEER	CITY OF TULSA, OKLAHOMA PUBLIC WORKS DEPARTMENT
	STANDARD ELEVATED FRP MANHOLE DETAILS
DESIGN MANAGER	DATE: AUGUST 2023
	STD. 369