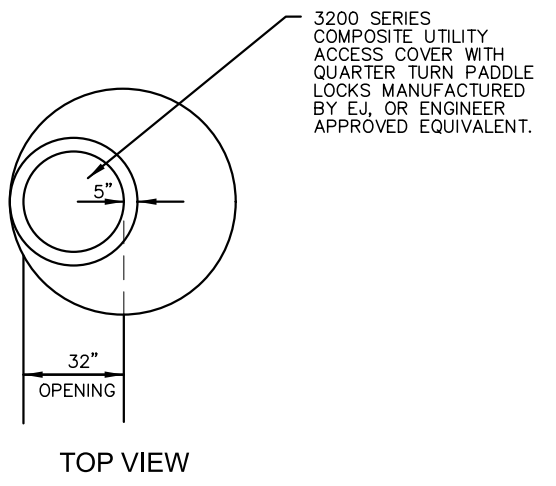
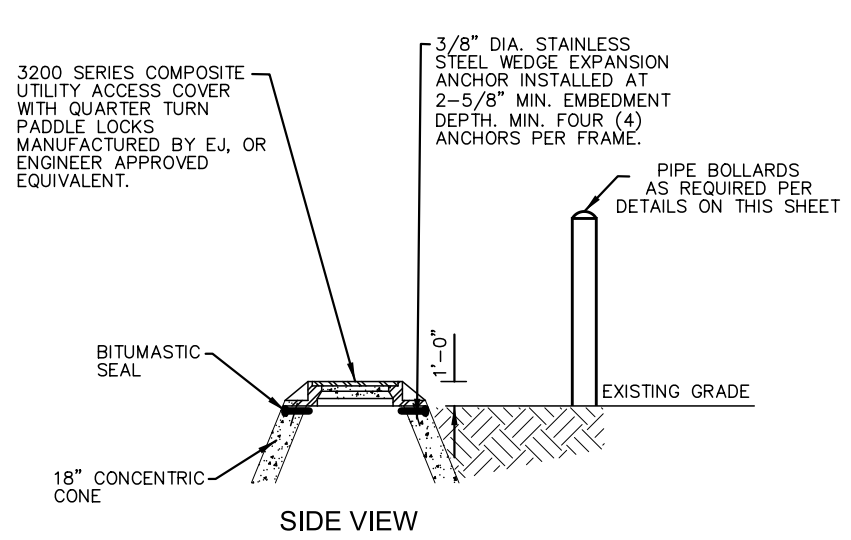


SIDE VIEW

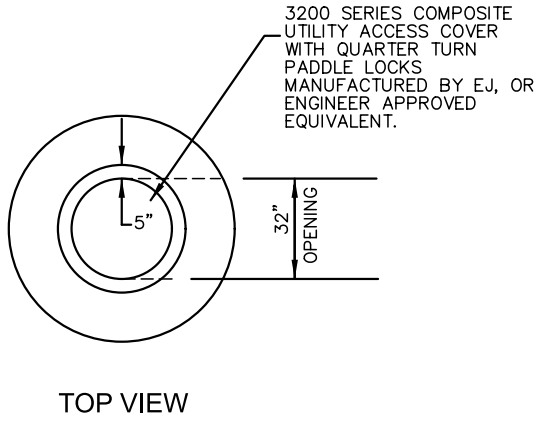


TOP VIEW

ELEVATED DETAIL FOR ECCENTRIC MANHOLES  
N.T.S.

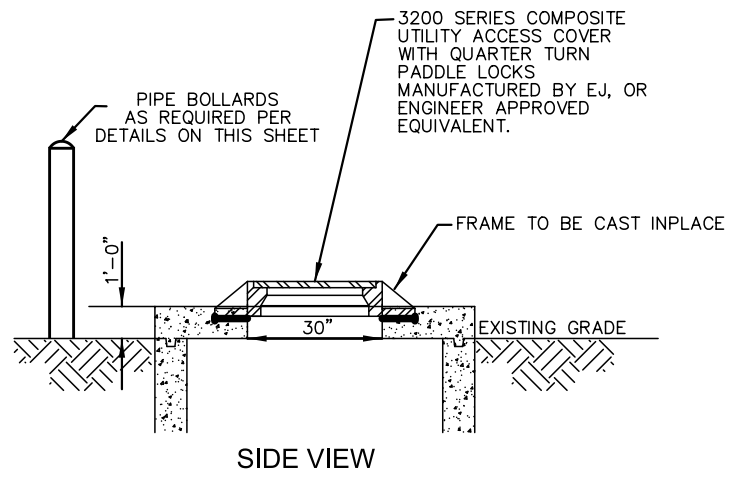


SIDE VIEW

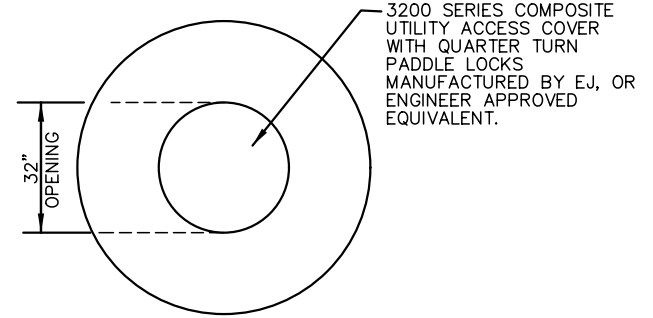


TOP VIEW

ELEVATED DETAIL FOR CONCENTRIC MANHOLES  
N.T.S.

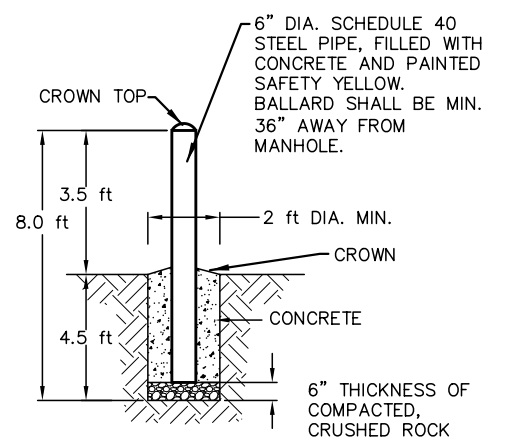


SIDE VIEW

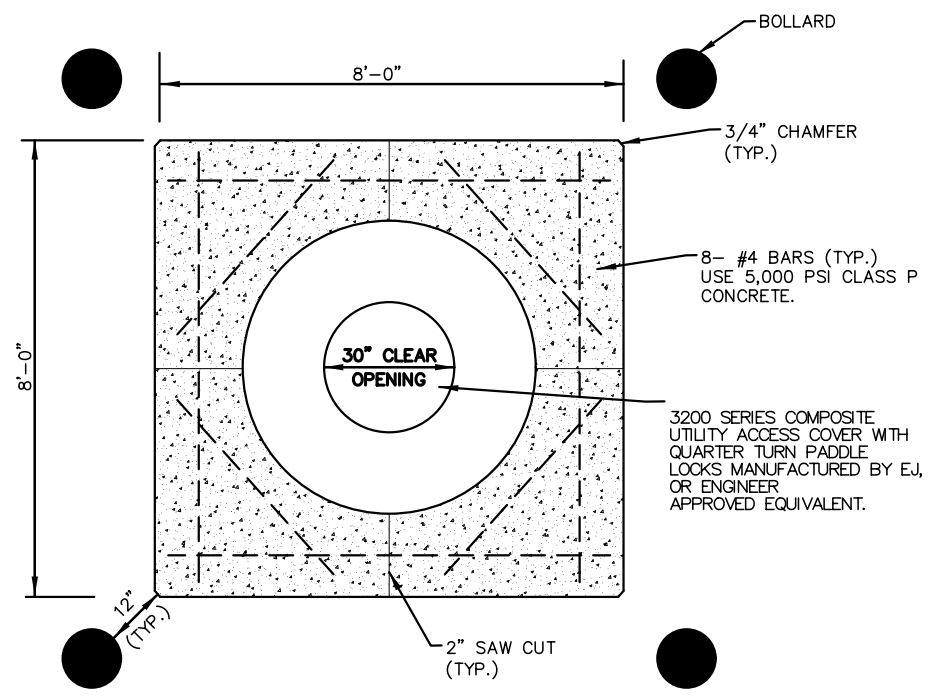


TOP VIEW

ELEVATED DETAIL FOR FLAT TOP MANHOLES  
N.T.S.



BOLLARD DETAIL  
N.T.S.



TOP VIEW

MANHOLES IN UNPAVED FLOODPLAIN AREAS  
N.T.S.

- NOTES:
1. ALL MANHOLE COVERS SHOWN ON THIS SHEET SHALL BE FURNISHED WITH WATER RESISTANT GASKETS.
  2. ALL OTHER COMPONENTS OF PRECAST CONCRETE MANHOLES SHALL BE PER CITY OF TULSA STANDARD DETAIL NO. 331, 356, 357, AND 358 AS APPLICATED.

REVISION	BY	DATE

CITY ENGINEER	CITY OF TULSA, OKLAHOMA PUBLIC WORKS DEPARTMENT
	STANDARD ELEVATED MANHOLE DETAILS FOR FLOODPLAIN CONSTRUCTION
DESIGN MANAGER	DATE: AUGUST 2023