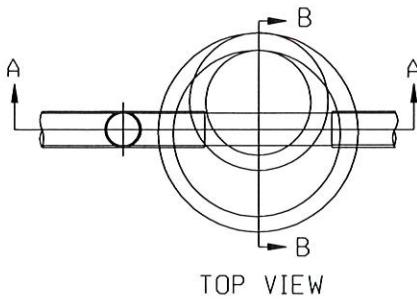
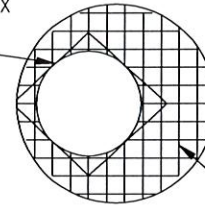


IF "B" IS LESS THAN 7'-0"  
USE FLAT SLAB TOP MANHOLE



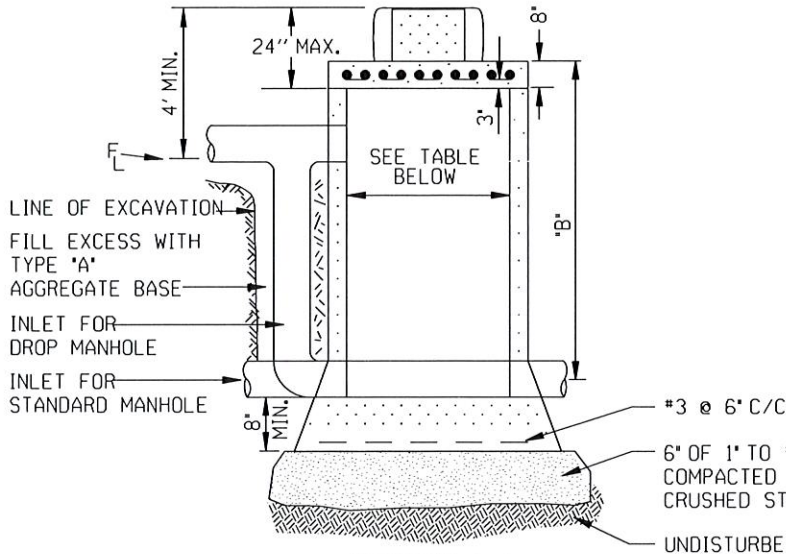
8 EACH, #4 BAR X  
2'-6", DIAG.  
TO MAIN REINF.



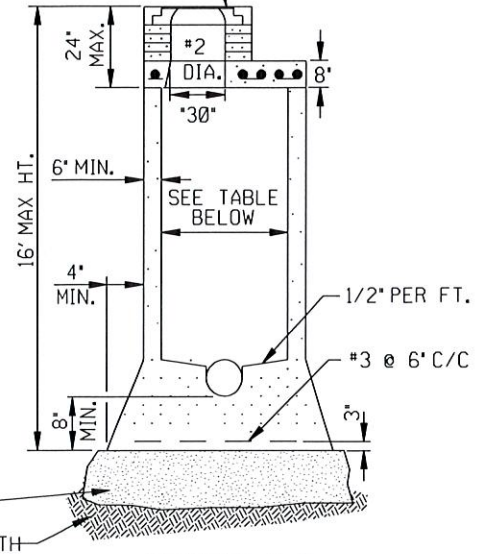
#4 AT 6" EA. WAY  
3' FROM BOTTOM FACE.

CONCRETE SLAB  
REINFORCEMENT PLAN

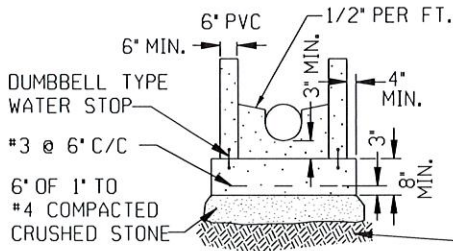
ADJUST MANHOLE TOP  
AND SEAL PER STD. 402



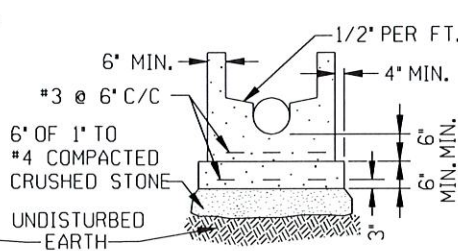
SECTION A-A  
FOR FLAT SLAB TOP M.H.



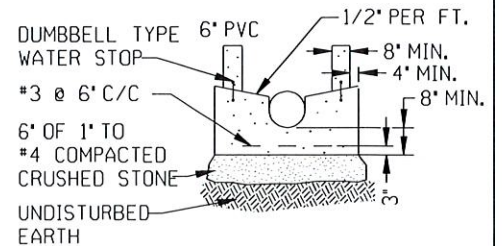
SECTION B-B  
MONOLITHIC CONSTRUCTION  
FOR FLAT SLAB TOP M.H.



STAGE CONSTRUCTION  
(ALTERNATE 1)



STAGE CONSTRUCTION  
(ALTERNATE 2)



STAGE CONSTRUCTION  
(ALTERNATE 3)

**NOTE:**

- CAST IN PLACE MANHOLES SHALL HAVE ECCENTRIC ENTRANCES AND SHALL BE EITHER THE FLAT SLAB OR ECCENTRIC TAPER TYPE SUBJECT TO THE SPECIFIED RESTRICTIONS.
- LOW SLUMP CONCRETE SHALL BE PLACED IN THE FOOTINGS AND LOWER WALLS AND SHALL BE PLACED AND VIBRATED IN ONE FOOT LIFTS.
- AN INSPECTOR MUST BE PRESENT BEFORE AND DURING THE PLACEMENT OF THE CONCRETE.
- THIS MANHOLE SHALL NOT BE USED IN PAVED STREETS OR OTHER TRAVELED AREAS.
- THE CONCRETE MUST SET FOR 48 HOURS BEFORE PIPE INSIDE OF MANHOLE IS TRIMMED.
- (ALTERNATE 3) INVERT MUST BE FORMED AT TIME OF BOTTOM POUR.
- WATER STOPS MAY BE ELIMINATED IF BARREL OF MANHOLE IS POURED WITHIN 4 HOURS AFTER BASE IS POURED AND PROVIDED BASE IS CLEANED OF ALL MUD, SILT, AND DEBRIS.
- THE MINIMUM INVERT DEPTH SHALL BE 3/4 TIMES THE PIPE DIAMETER.

M.H. 4' I.D.	8" TO 12" PIPE
M.H. 5' I.D.	15" TO 21" PIPE
M.H. 6' I.D.	24" TO 36" PIPE
SPECIAL M.H.	LARGER THAN 36"

STANDARD DETAIL SANITARY SEWER MANHOLE WITH FLAT SLAB TOP	
CITY OF TULSA, OKLAHOMA ENGINEERING SERVICES DEPARTMENT	
DRAWN BY: R.M.O.	APPROVED:
CHECKED BY: HAS	
DATE: FEB 2023	
NOT TO SCALE	STANDARD NO. 357