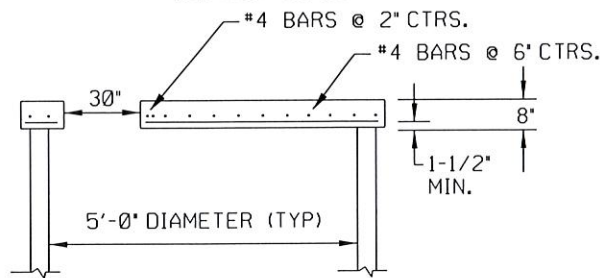
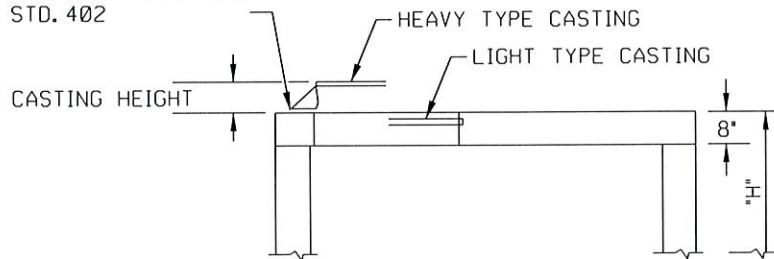


TYPICAL REINFORCING FOR FLATTOP SLABS

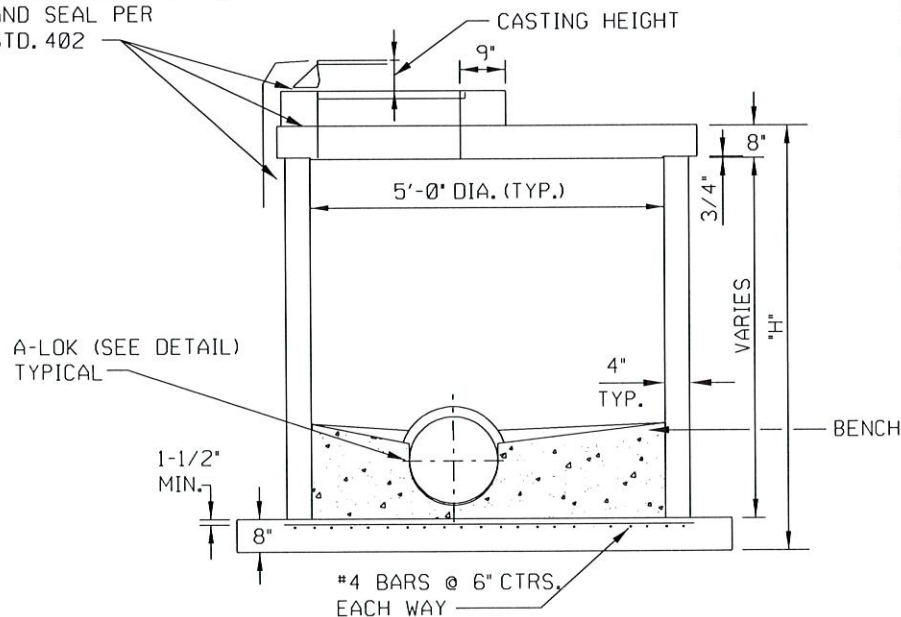


SECTION A-A

INSTALL AND SEAL MANHOLE FRAME PER STD. 402



ADJUST MANHOLE TOP AND SEAL PER STD. 402



TYPICAL REPLACEMENT SHALLOW FLATTOP MANHOLE
NOT TO SCALE

NOTE:

WELDED WIRE MESH OF EQUIVALENT CROSS-SECTIONAL AREA MAY BE SUBSTITUTED FOR #4 BARS @ 6" CTRS. (4 LAYERS MAX.). BARS @ 2" CTRS. AROUND OPENING TO BE AS SHOWN.

ROUGH-IN OPENINGS:

CONCRETE SHALL BE LEFT ROUGH TO PROVIDE BOND FOR GROUT. BONDING AGENT TO BE APPLIED TO ENSURE TIGHT BOND BETWEEN ROUGH OPENING AND CONCRETE.

HEIGHT "H" LESS THAN 4'-0" FOR SHALLOW FLATTOP MANHOLE.

BARREL SECTION SHALL BE JOINTLESS OR JOINTS SHALL BE WRAPPED WITH 9" WIDE INFISHIELD GATOR WRAP MANUFACTURED BY SEALINGS SYSTEMS, INC. OR APPROVED EQUAL

SHALLOW FLATTOP MANHOLE	
CITY OF TULSA, OKLAHOMA ENGINEERING SERVICES DEPARTMENT	
DRAWN BY: D.J.N.	APPROVED:
CHECKED BY: <i>HAL</i>	<i>[Signature]</i>
DATE: MARCH 2023	
NOT TO SCALE	STANDARD NO. 406