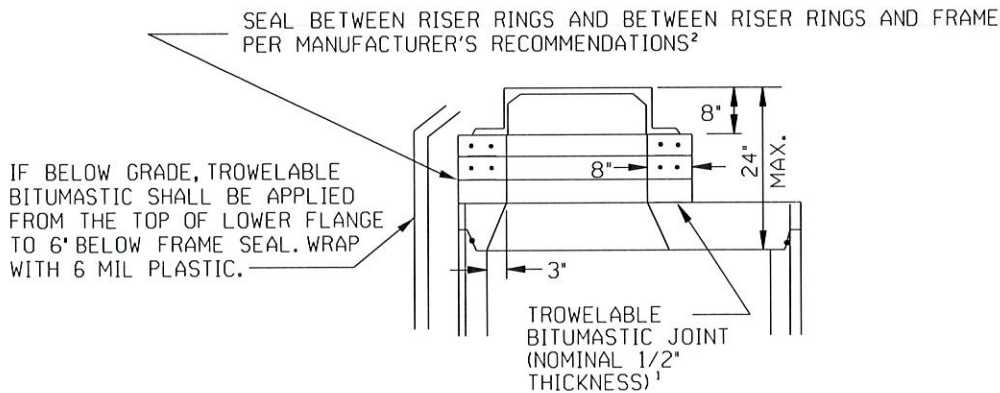


TYPICAL COVER, FRAME, AND FRAME SEAL DETAIL

NOT TO SCALE



TYPICAL COVER, FRAME, AND FRAME SEAL DETAIL W/RISER RINGS

NOT TO SCALE

NOTES:

- 1 ALTERNATIVELY, FOR FRAME TO MANHOLE OR RISER RING TO MANHOLE, TWO RINGS OF BITUMASTIC ROPE OR MI ADHESIVE MAY BE USED IN LIEU OF TROWABLE BITUMASTIC AS APPROVED BY THE ENGINEER
- 2 RISER RINGS SHALL BE PLASTIC RINGS MANUFACTURED BY CRETEX OR APPROVED EQUAL. CONCRETE RINGS SHALL NOT BE USED UNLESS APPROVED BY ENGINEER

COVER, FRAME, AND FRAME SEAL	
CITY OF TULSA, OKLAHOMA ENGINEERING SERVICES DEPARTMENT	
DRAWN BY: J.B.H.	APPROVED
CHECKED BY: <i>HAS</i>	<i>Kulsey</i>
DATE: MARCH 2023	
NOT TO SCALE	STANDARD NO. 402