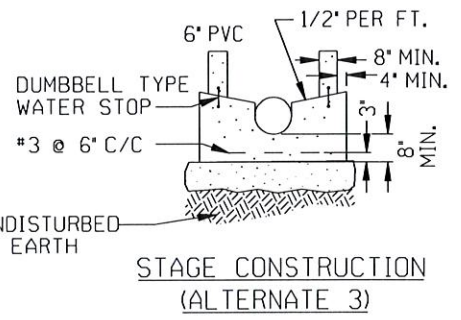
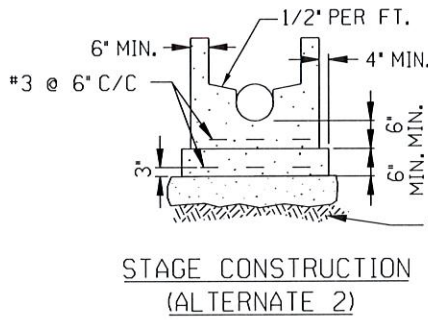
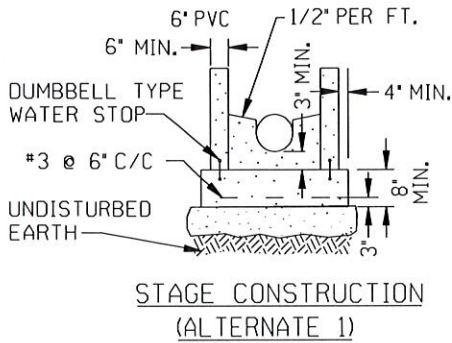
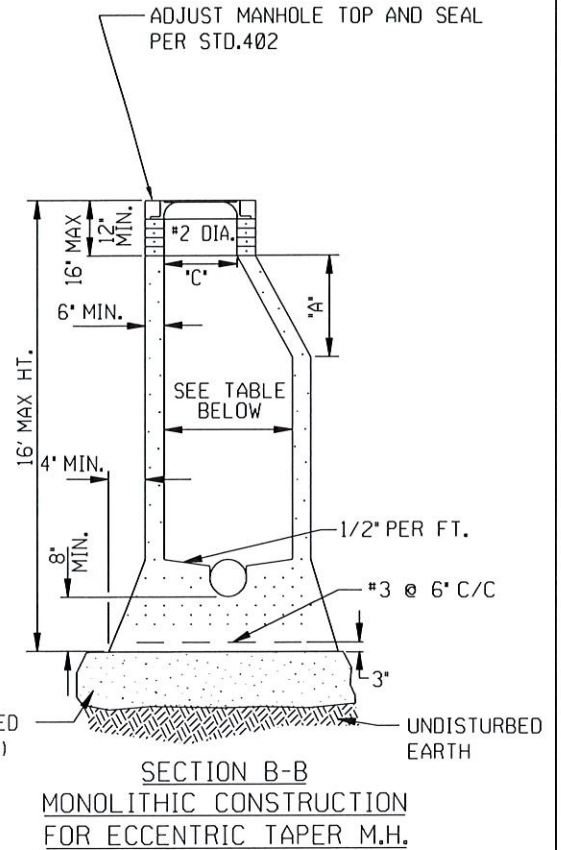
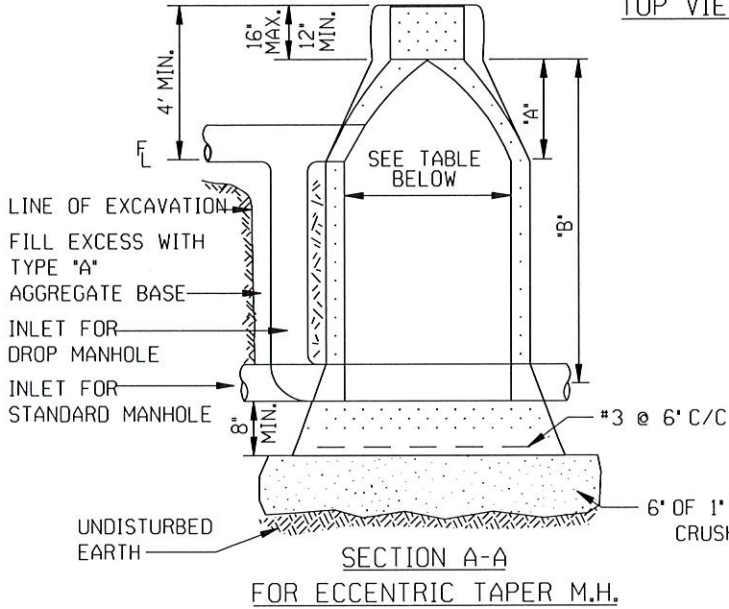
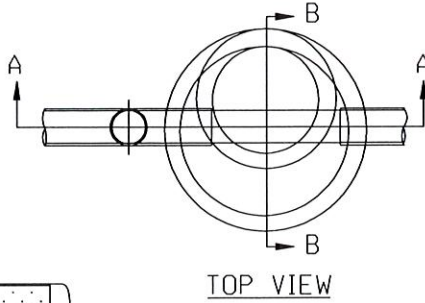


IF 'B' IS LESS THAN 7'-0"  
 USE FLAT SLAB TOP MANHOLE  
 FOR 4' M.H.:  
 A=2'-6" MIN. TO 4'-0" MAX.  
 C=30°

FOR 5' & 6' M.H.:  
 A=3'-6" MIN. TO 4'-0" MAX.  
 C=30°



**NOTE:**

1. CAST IN PLACE MANHOLES SHALL HAVE ECCENTRIC ENTRANCES AND SHALL BE EITHER THE FLAT SLAB OR ECCENTRIC TAPER TYPE SUBJECT TO THE SPECIFIED RESTRICTIONS.
2. LOW SLUMP CONCRETE SHALL BE PLACED IN THE FOOTINGS AND LOWER WALLS AND SHALL BE PLACED AND VIBRATED IN ONE FOOT LIFTS.
3. AN INSPECTOR MUST BE PRESENT BEFORE AND DURING THE PLACEMENT OF THE CONCRETE.
4. THIS MANHOLE SHALL NOT BE USED IN PAVED STREETS OR OTHER TRAVELED AREAS.
5. THE CONCRETE MUST SET FOR 48 HOURS BEFORE PIPE INSIDE OF MANHOLE IS TRIMMED.
6. (ALTERNATE 3) INVERT MUST BE FORMED AT TIME OF BOTTOM POUR.
7. WATER STOPS MAY BE ELIMINATED IF BARREL OF MANHOLE IS POURED WITHIN 4 HOURS AFTER BASE IS POURED AND PROVIDED BASE IS CLEANED OF ALL MUD, SILT, AND DEBRIS.
8. THE MINIMUM INVERT DEPTH SHALL BE 3/4 TIMES THE PIPE DIAMETER, TOP OF THE LID.

M.H. 4' I.D.	8" TO 12" PIPE
M.H. 5' I.D.	15" TO 21" PIPE
M.H. 6' I.D.	24" TO 36" PIPE
SPECIAL M.H.	LARGER THAN 36"

STANDARD DETAIL OF  
 SANITARY SEWER MANHOLE WITH TAPER

CITY OF TULSA, OKLAHOMA  
 ENGINEERING SERVICES DEPARTMENT

DRAWN BY: R.M.O. APPROVED:

CHECKED BY: DATE: JAN 2023

NOT TO SCALE STANDARD NO. 356