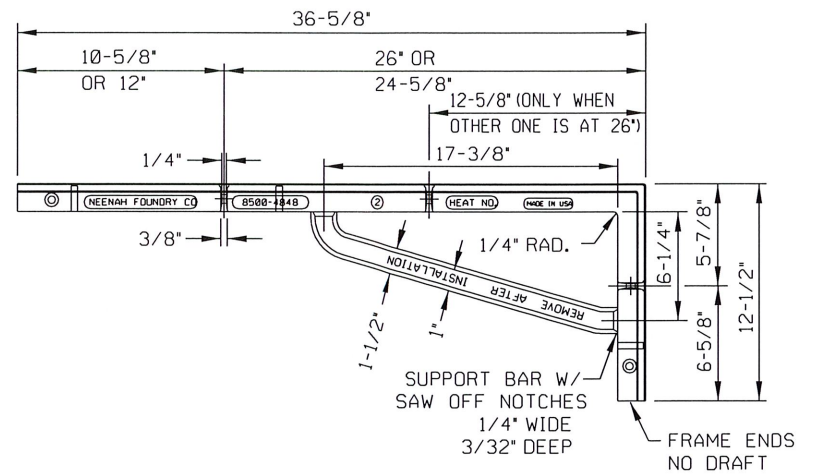
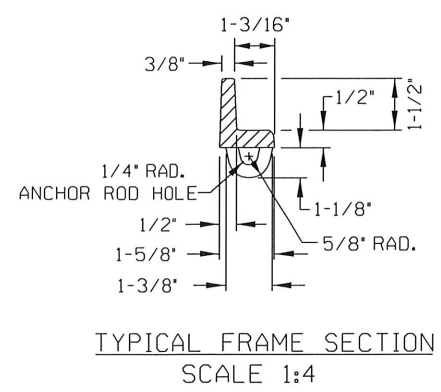
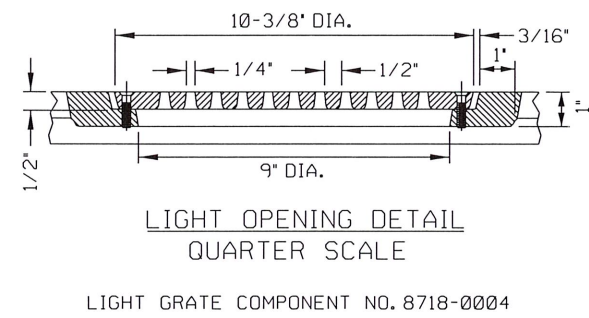
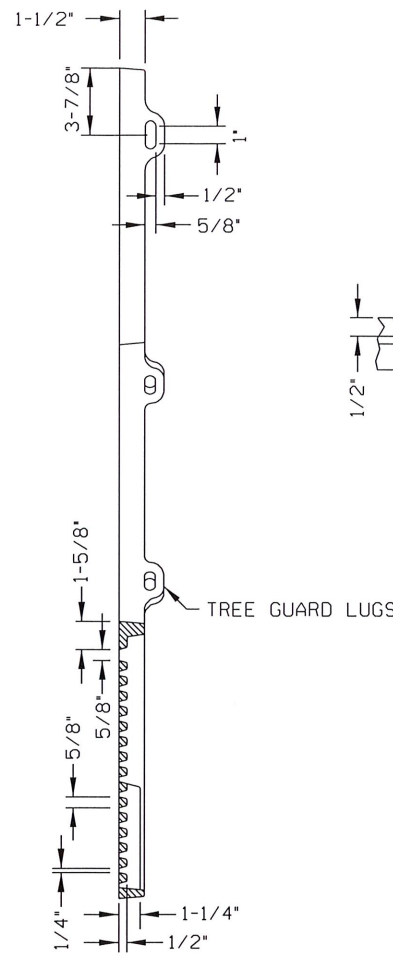
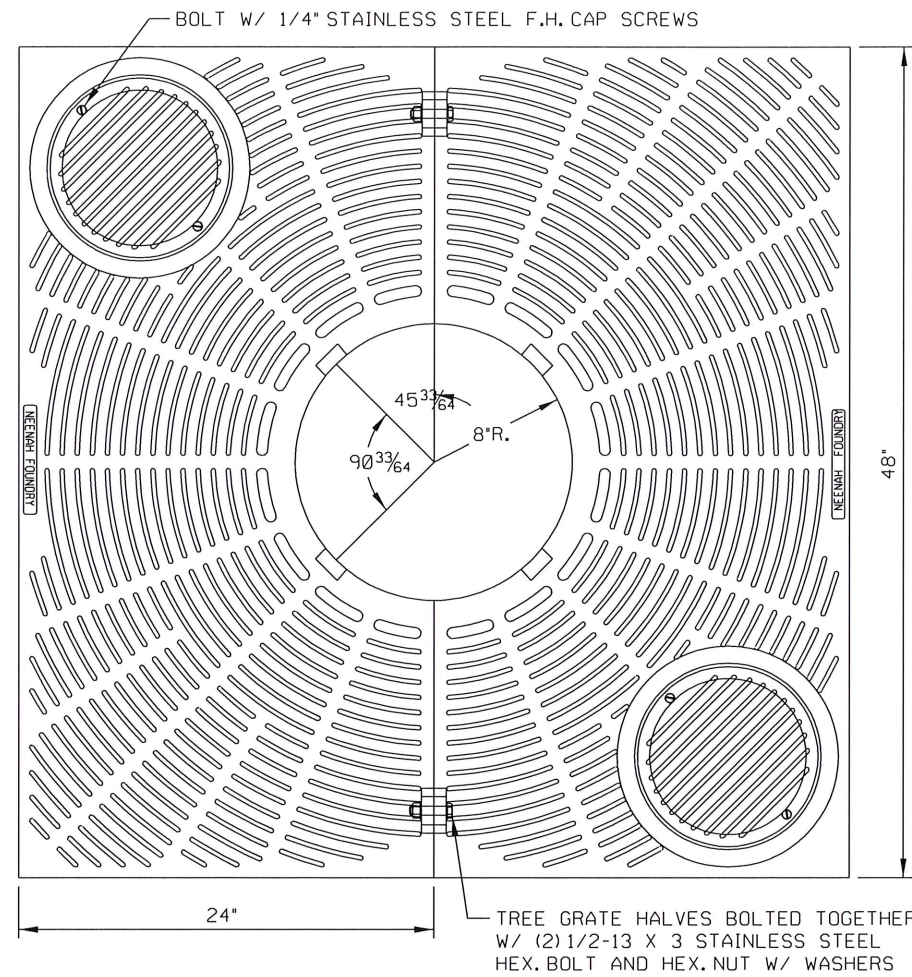
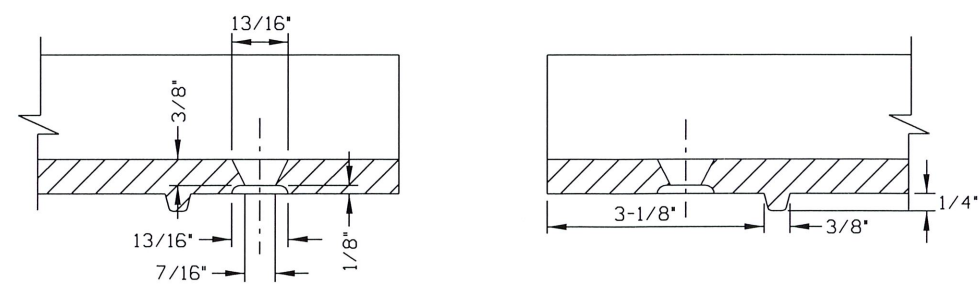
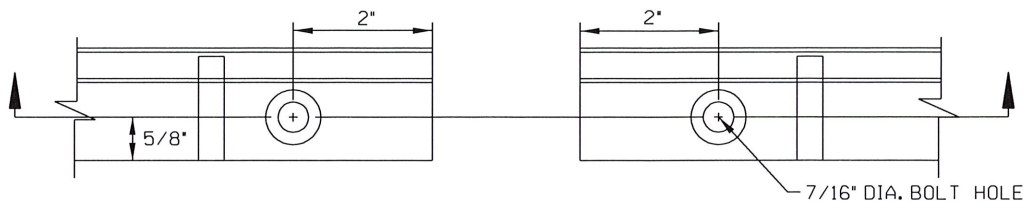


PATH NAME: /E1/PARTS/STD/DCN.STDS/787-SDWLK-GRATE-TREE-WELL.DGN RMO 03/08/2021



NOTE:
COMPONENT NO'S: GRATE (2) 8708-0103; LT. OPENING GRATE (2) 8718-0004
MATERIAL: CAST GRAY IRON ASTM A-48, CLASS 35B
FINISH: NOT PAINTED
WEIGHT: 312#/SET



FRAME BOLT HOLE DETAIL
SCALE 1:2

NOTE:
MATERIAL: CAST GRAY IRON ASTM A-48, CLASS 35B
FINISH: NOT PAINTED
WEIGHT: 19#

NOTE:
SIDEWALKS AND RAMPS SHALL MEET THE ADA ACCESSIBILITY TECHNICAL REQUIREMENTS AS SHOWN AT WWW.ACCESS-BOARD.GOV/PROWAG/

| REVISION | BY | DATE |
|----------|----|------|
| | | |
| | | |
| | | |

[Signature]
CITY ENGINEER

[Signature]
DESIGN MANAGER

CITY OF TULSA, OKLAHOMA
ENGINEERING SERVICES DEPARTMENT

SIDEWALK GRATE FOR TREE WELL

DATE: MARCH 2022
STD. 787