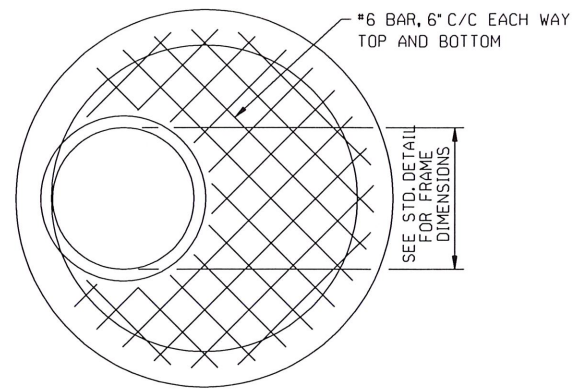
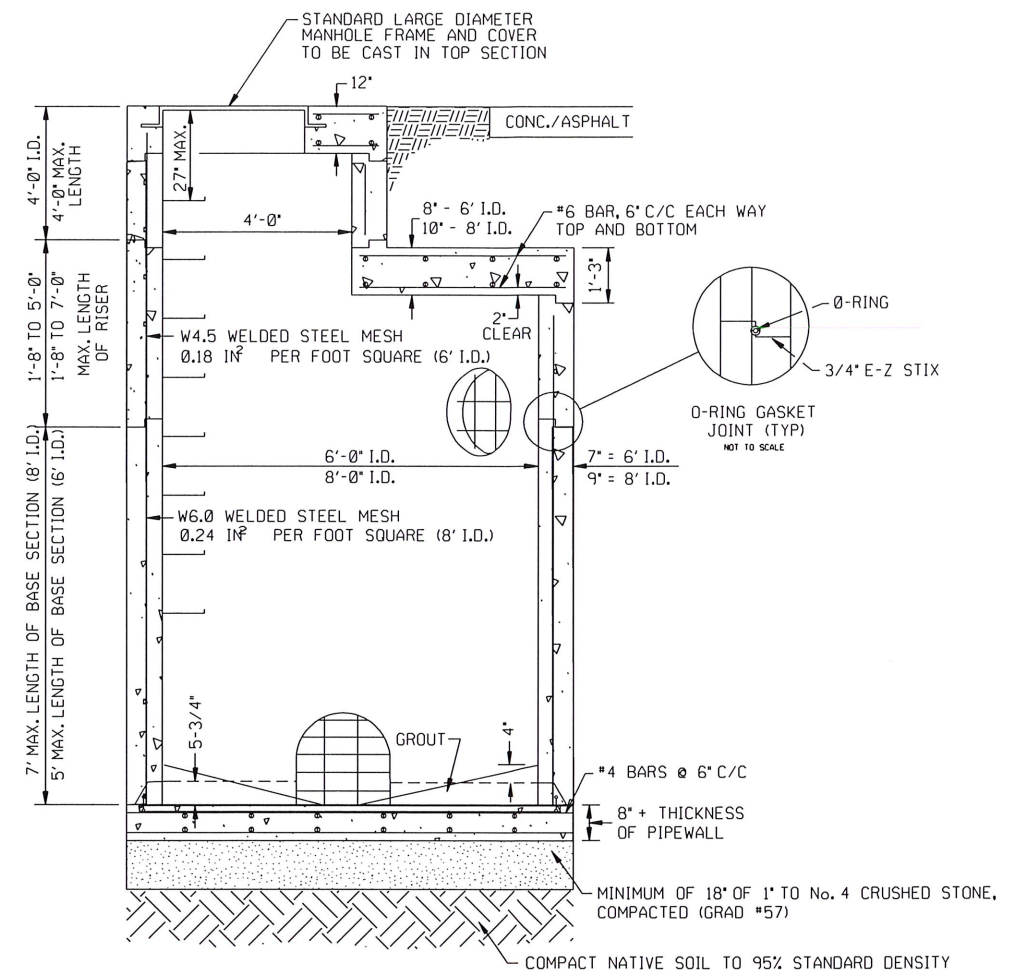


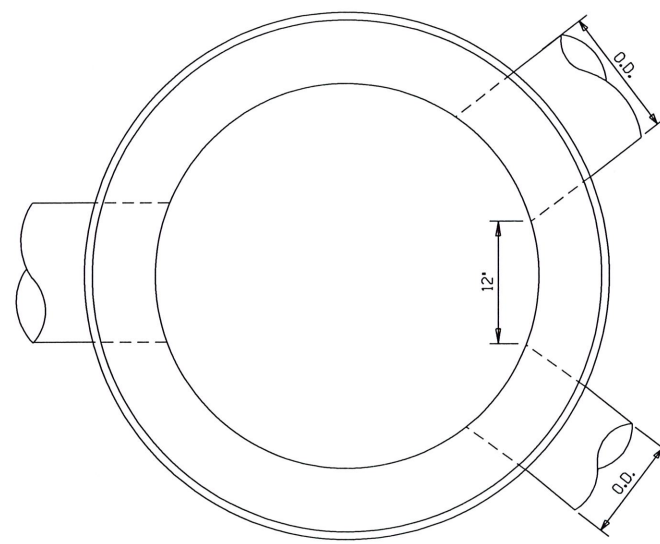
PRECAST CONCRETE MANHOLE (4' AND 5' I.D.)



DETAIL 'A'  
TOP SLAB REINFORCEMENT  
NOT TO SCALE



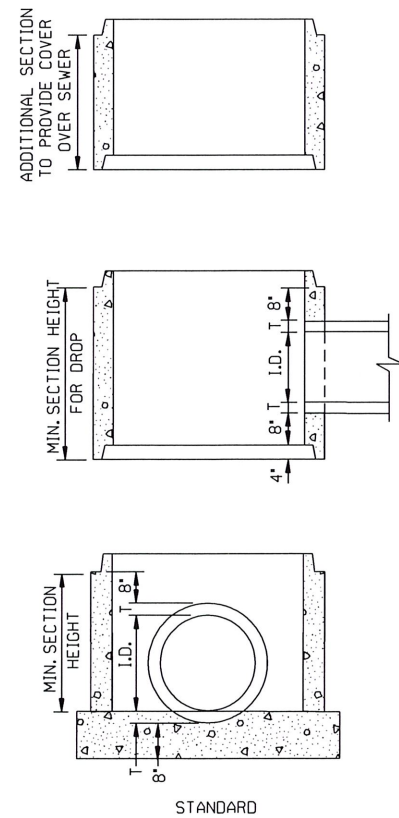
PRECAST CONCRETE MANHOLE (6' AND 8' I.D.)



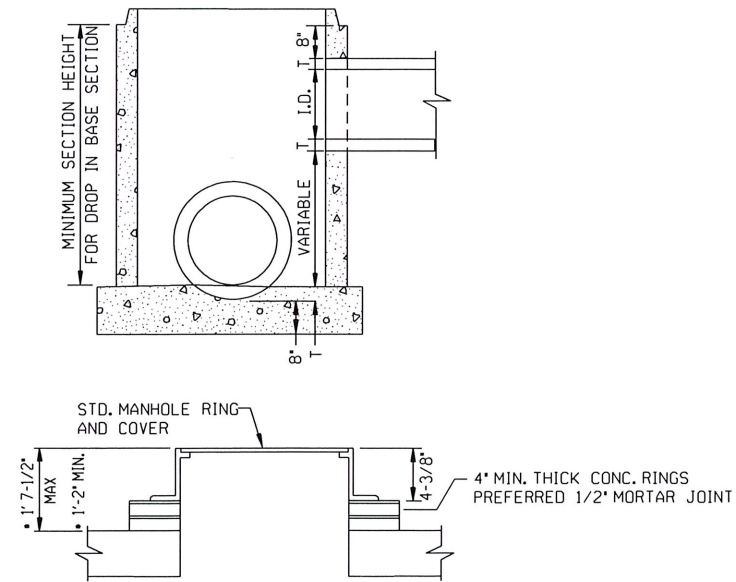
PLAN  
DETAIL STANDARD MANHOLE

**NOTE:**

- ELEVATION AND ARRANGEMENT OF MANHOLE TOPS SHALL BE IN ACCORDANCE WITH TOP DETAILS.
- SMOOTH WALLS AT TRANSITION FROM CHIMNEY TO FULL SECTION IS REQUIRED. MAX. OFFSET 2"
- CONCRETE SHALL BE 4000 PSI (MIN).
- SEAL TONGUE AND GROOVE JOINTS OF PRECAST MANHOLE SECTIONS WITH RUBBER 'O'-RING GASKETS THAT CONFORM TO ASTM C443.
- OPENINGS FOR INLETS AND OUTLETS SHALL BE MADE TO THE OUTSIDE DIAMETER OF THE INLETS AND OUTLET PIPES. LOCATION OF INLETS AND OUTLETS SHALL BE SHOWN BY THE PLANS. FLEXIBLE GASKETS SHALL BE MAINTAINED IN ACCORDANCE WITH RUBBER JOINT SPECIFICATIONS ASTM C443 AND SHALL MEET THE REQUIREMENTS OF ASTM C425 FOR COMPRESSION JOINTS. THE CONNECTION OF THE PIPE TO THE MANHOLE WALL SHALL BE SEALED WITH APPROVED GROUT OR EQUAL.
- PRECAST SECTIONS SHALL MEET OR EXCEED REQUIREMENTS OF ASTM C-478 STANDARD SPECIFICATIONS FOR PRECAST CONCRETE MANHOLES.
- MANHOLE FRAME AND LID MUST BE FLUSH WITH TOP OF THE SURROUNDING CONCRETE SLAB.



SECTION SIZING DETAIL  
1'-2'-0"



MANHOLE RIM AND SPACER DETAIL  
3/4'-1'-0"

• THESE DIMENSIONS REFLECT 1/2" MORTAR JOINTS BETWEEN CONCRETE RING COURSES. MORTAR JOINTS MAY BE SLIGHTLY REDUCED OR INCREASED TO BRING MANHOLE RIM TO EXACT GRADE.

**NOTE:**  
THE MINIMUM HORIZONTAL DISTANCE BETWEEN PIPES ENTERING THE MANHOLE SHALL BE 12" (MEASURED AT THE INTERIOR WALL OF MANHOLE).  
O.D.=OUTSIDE DIAMETER

REVISION	BY	DATE

*Keddy*  
CITY ENGINEER

*HAS*  
DESIGN MANAGER

CITY OF TULSA, OKLAHOMA  
ENGINEERING SERVICES DEPARTMENT

STANDARD PRECAST CONCRETE  
STORMWATER MANHOLE

DATE: MARCH 2022

STD. 775