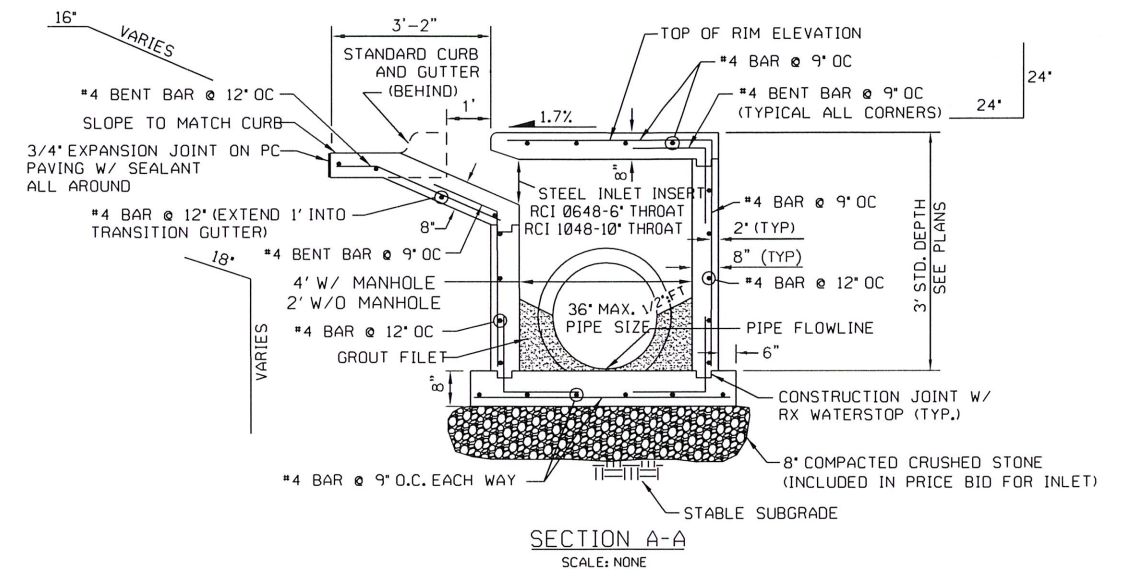


- CAST IN PLACE CONCRETE NOTES**
1. ALL CONCRETE SHALL BE CLASS A, AS DESIGNATED IN SECTION 509 OF THE ODOT SPECIFICATIONS, LATEST EDITION.
 2. ALL EXPOSED EDGES OF CONCRETE SHALL BE CHAMFERED 3/4" UNLESS OTHERWISE NOTED.
 3. CLEAR DISTANCES FROM CAST-IN-PLACE CONCRETE SURFACES TO REINFORCING SHALL BE 2" FOR WALLS, 1-1/2" FOR SUPPORTED SLABS, 3" FROM THE BOTTOM OF FOOTINGS AND 2" FROM THE TOP OF SLABS, UNLESS OTHERWISE NOTED.
 4. REINFORCING STEEL SHALL MEET ASTM SPECIFICATION A615, GRADE 60.
 5. ALL BARS SHALL LAP A MINIMUM OF 30 BAR DIAMETERS OR 18", WHICHEVER IS GREATER, UNLESS OTHERWISE NOTED BY THE ENGINEER.
 6. ALL EXPOSED CAST IN PLACE CONCRETE SURFACES SHALL HAVE ALL VOIDS FILLED, BURRS AND FINIS REMOVED.
 7. ALL JOINTS SHALL BE SEALED WITH AN APPROVED SILICONE SEALANT.
 8. MINIMUM CONCRETE COVER OF REINFORCING STEEL SHALL CONFORM TO AMERICAN CONCRETE INSTITUTE STANDARD OR BE 2" FOR EXTERIOR WALL STEEL OR 3" FOR THE BOTTOM FLOOR STEEL.



NOTE: RCI STRUCTURES W/O MANHOLES SHOULD BE LIMITED TO CASES WHERE A SINGLE INLET IS EXTENDED BEYOND A JUNCTION BOX.

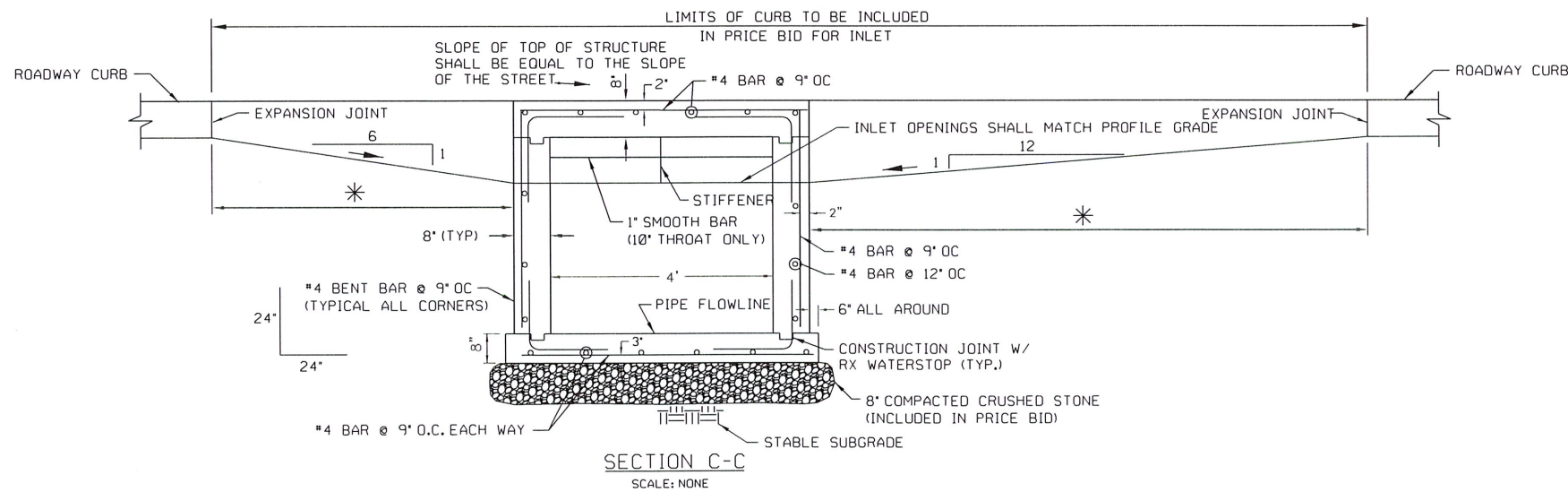
BASIS OF PAYMENT		
ITEM NO.	ITEM	UNIT
611.06 (G)	INLET, TYPE "RCI 0648 & RCI 1048"	EA.
611.06 (H)	ADDITIONAL DEPTH IN INLET TYPE "RCI 0648 & RCI 1048" V.F.	

NOTE: DETAIL SHOWN WITH MANHOLE RCI 0648 (6" THROAT)

	SUMP W/ MANHOLE		SUMP W/O MANHOLE		NO SUMP W/ MANHOLE		NO SUMP W/O MANHOLE	
	CONC. CY	STL. LBS.	CONC. CY	STL. LBS.	CONC. CY	STL. LBS.	CONC. CY	STL. LBS.
STD. DEPTH 3'	3.1	290	2.3	215	3.3	299	2.6	225
ADD. VERT. FT.	1	31	.7	24	1	31	.7	24

RCI 1048 (10" THROAT)

	SUMP W/ MANHOLE		SUMP W/O MANHOLE		NO SUMP W/ MANHOLE		NO SUMP W/O MANHOLE	
	CONC. CY	STL. LBS.	CONC. CY	STL. LBS.	CONC. CY	STL. LBS.	CONC. CY	STL. LBS.
STD. DEPTH 3'	3.5	295	2.6	221	3.7	307	2.8	236
ADD. VERT. FT.	1	31	.7	24	1	31	.7	24



REVISION	BY	DATE

Kelly
CITY ENGINEER

HB
DESIGN MANAGER

CITY OF TULSA, OKLAHOMA
ENGINEERING SERVICES DEPARTMENT

RECESSED CURB INLET DETAILS
RCI 0648 - 6" THROAT
RCI 1048 - 10" THROAT

DATE: MARCH 2022

STD. 769A