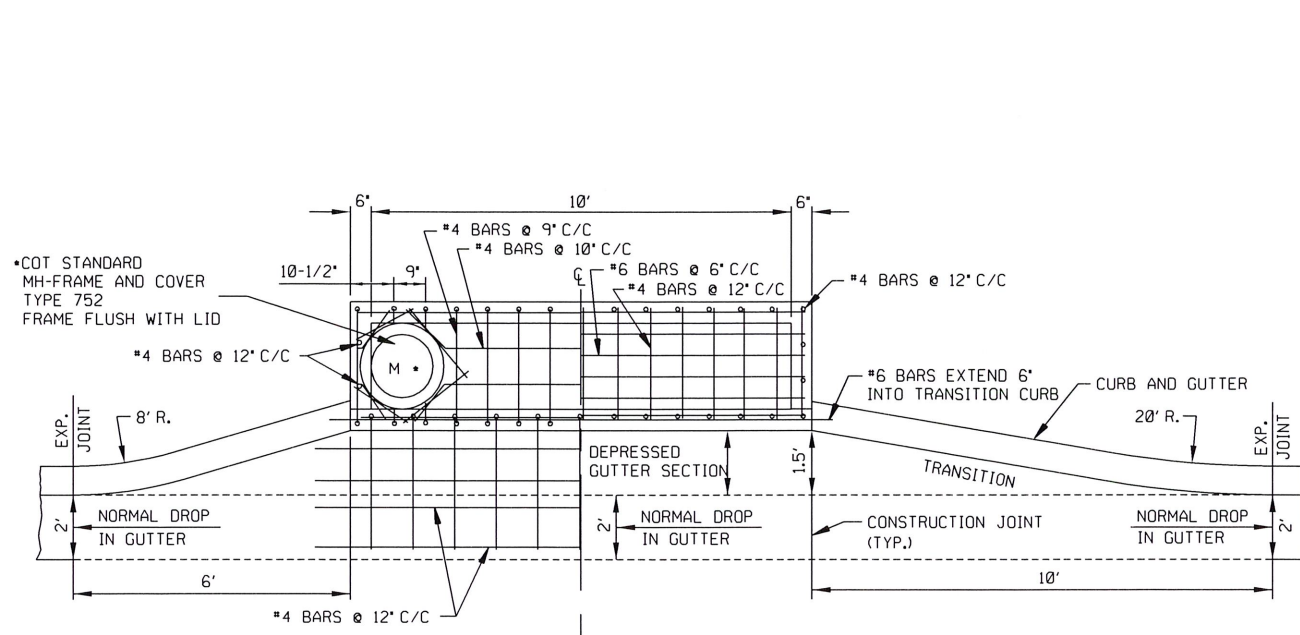
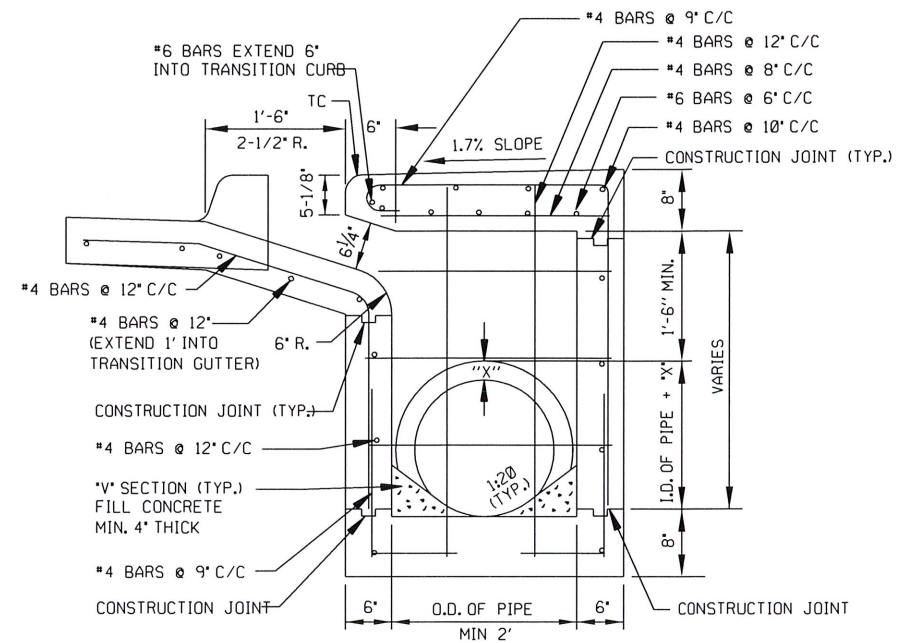


PATH NAME: /E1/PARTS/STD/DDL/STDS/768-STD-RECESSED-CURB-INLET.DGN RMO 8/22/2022

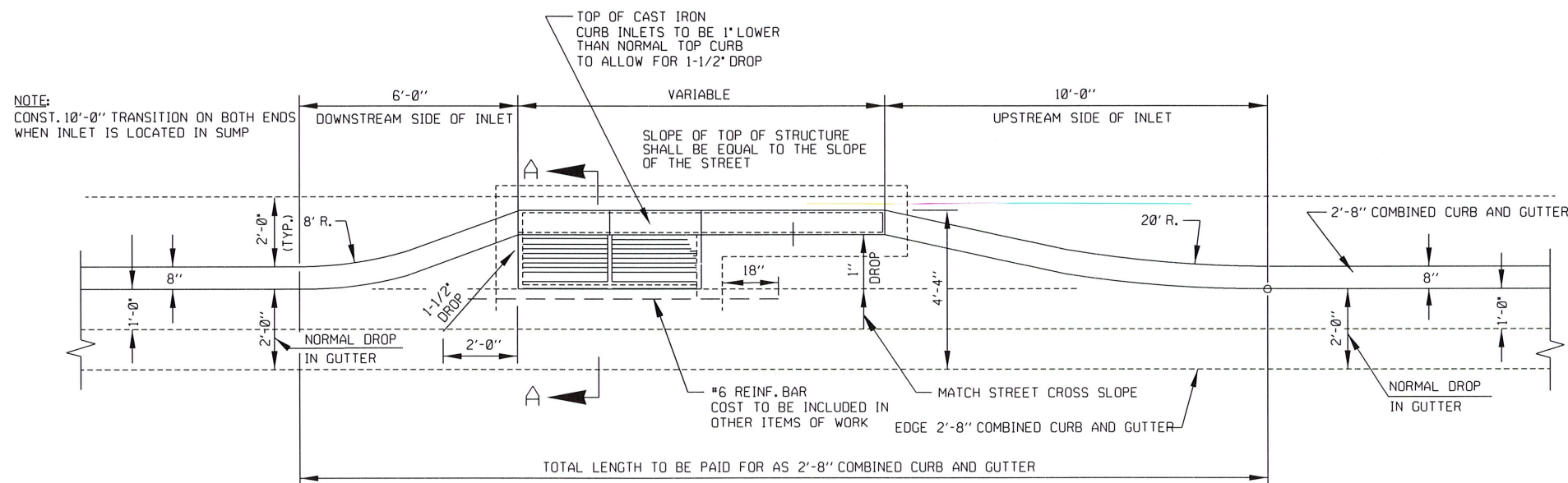


PLAN - SECTION



ELEVATION - SECTION A-A



RECESSED CURB INLET



CURB TURNOUT FOR RECESSED CAST IRON CURB INLET

- NOTE:
1. THE CONTRACTOR MAY PROPOSE ALTERNATE PROCEDURES UNITS. PLANS FOR SUCH PROPOSED ALTERNATES SHALL BE FOR THE CONSTRUCTION OF INLETS, INCLUDING PRECAST SUBMITTED TO THE ENGINEER FOR REVIEW AND APPROVAL BEFORE CONSTRUCTION.
 2. REINFORCING STEEL SHALL CONFORM TO STANDARD SPECIFICATIONS FOR 'REINFORCING STEEL.'
 3. INLET WILL BE PAID FOR AS 'EACH.'

NOT TO SCALE

 CITY ENGINEER			CITY OF TULSA, OKLAHOMA ENGINEERING SERVICES DEPARTMENT
 DESIGN MANAGER			
REVISION	BY	DATE	STANDARD RECESSED CURB INLET
DATE: MARCH 2022			STD. 768