

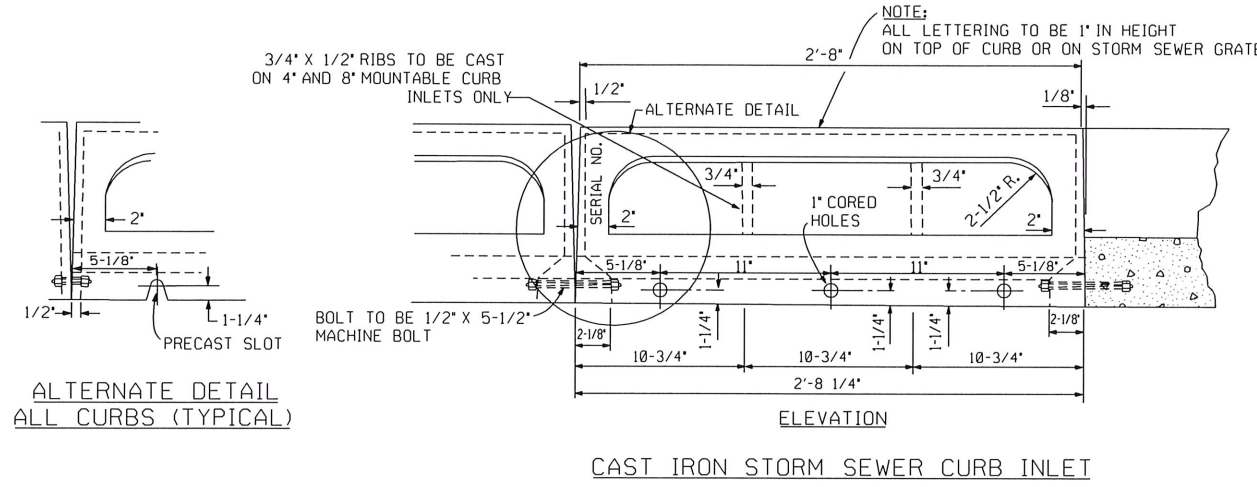
DUMP NO WASTE □ DRAINS TO RIVER

FOR 6" MOUNTABLE CURB

DUMP NO WASTE
DRAINS TO RIVER

FOR 6" AND 8" BARRIER CURB

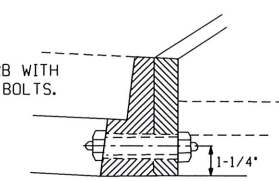
LAYOUT FOR CURB NOTE



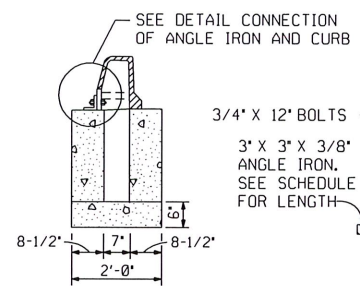
CAST IRON STORM SEWER CURB INLET

ALTERNATE DETAIL
ALL CURBS (TYPICAL)

NOTE:
FRAME TO BE BOLTED TO CURB WITH
THREE 3/4" X 4-1/2" MACHINE BOLTS.
SEE CURRENT STD. SCF-4
FOR FRAME AND GRATE.

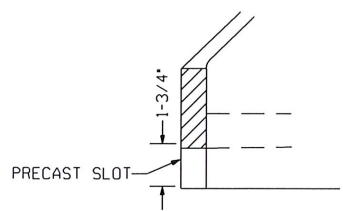


DETAIL OF CONNECTION
FRAME AND CAST IRON CURB

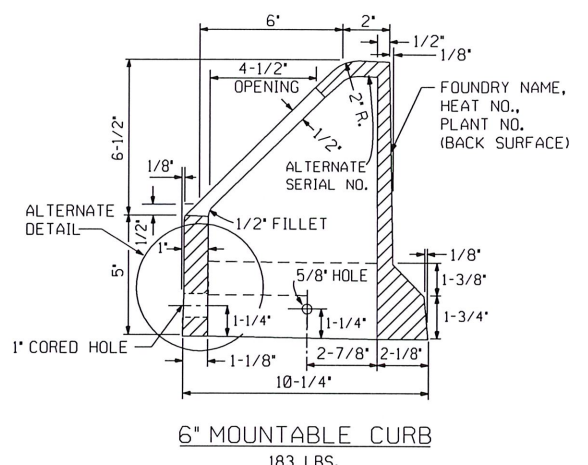


DETAIL OF CONNECTION
ANGLE IRON AND CAST IRON CURB

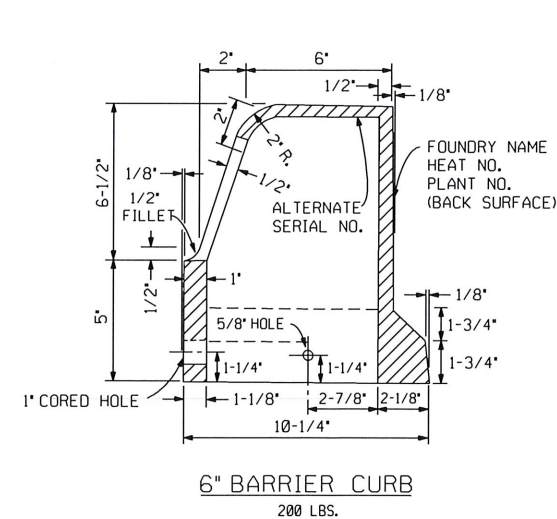
NOTE:
ANGLE IRON TO BE BOLTED TO CURB
WITH THREE 3/4" X 12" MACHINE BOLTS.



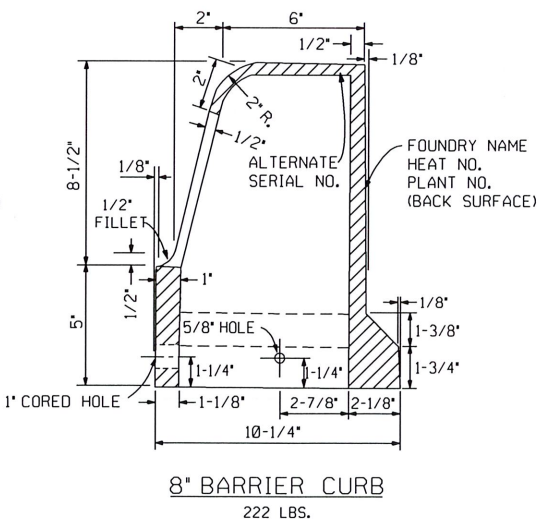
ALTERNATE DETAIL
ALL CURBS (TYPICAL)



6" MOUNTABLE CURB
183 LBS.



6" BARRIER CURB
200 LBS.



8" BARRIER CURB
222 LBS.

GENERAL NOTES

1. GRATING AND FRAMES TO BE USED IN THIS INLET ARE SHOWN ON THE STANDARD DRAWINGS DESIGNATED AS "STANDARD STORMWATER GRATES" AND "STANDARD STORMWATER FRAMES."
2. GRAY IRON CASTINGS SHALL CONFORM TO AND BE TESTED IN ACCORDANCE WITH THE STANDARD SPECIFICATION FOR GRAY IRON CASTINGS, ASTM A48, AND SHALL BE CLASS 30B OR BETTER.
3. NO WORDING OR MARKING OF ANY KIND OTHER THAN THOSE SHOWN ON THE PLANS WILL BE PERMITTED ON THESE CASTINGS.
4. ALL NUTS AND BOLTS REQUIRED FOR THESE STRUCTURES SHALL BE CADMIUM PLATED AND GALVANIZED.
5. "DUMP NO WASTE - DRAINS TO RIVER" LETTERING CAN BE PLACED ON THE TOP OF THE BARRIER CURB OR THE INLET GRATE.
6. DESIGN 5 IS THE MAXIMUM PRE-APPROVED SIZE.

TOLERANCES	INCHES	
	PLUS	MINUS
DIAMETER OF ROUND LIDS AND FRAME RECESS FOR ROUND LIDS	1/16	1/16
LENGTH AND WIDTH OF SQUARE OR RECTANGULAR LIDS	1/16	1/8
LENGTH AND WIDTH OF FRAME RECESS FOR SQUARE OR RECTANGULAR LIDS	1/8	1/16
METAL THICKNESS	1/16	1/16
ALL OTHER DIMENSIONS	1/8	1/8

INLET DESIGN	CURB OPENING DESIGNATION	INLET FRAME AND GRATE EACH	CAST IRON CURB INLET EACH	ANGLE IRON		
				NO.	LENGTH	
1	A	1	1	1	2' 5-3/8"	
	B	1	3	1	5' 1-5/8"	
	C	1	4	1	7' 9-7/8"	
	2A	1	3	2	2' 5-3/8"	2' 5-3/8"
	A-B	1	4	2	2' 5-3/8"	5' 1-5/8"
	A-C	1	5	2	2' 5-3/8"	7' 9-7/8"
	2B	1	5	2	5' 1-5/8"	5' 1-5/8"
	B-C	1	6	2	5' 1-5/8"	7' 9-7/8"
2	2-C	1	2	2	7' 9-7/8"	
	B	2	4	1	5' 1-5/8"	
	D	2	6	1	10' 6-1/8"	
	2B	2	6	2	5' 1-5/8"	5' 1-5/8"
	B-D	2	8	2	5' 1-5/8"	10' 6-1/8"
	2D	2	10	2	10' 6-1/8"	10' 6-1/8"
3	B	3	3	1	5' 1-5/8"	
	D	3	7	1	10' 6-1/8"	
	2B	3	7	2	5' 1-5/8"	5' 1-5/8"
	B-D	3	9	2	5' 1-5/8"	10' 6-1/8"
	2D	3	11	2	10' 6-1/8"	10' 6-1/8"

NOTE: CONFIGURATIONS ARE NOT LIMITED TO THOSE SHOWN ABOVE.

[Signature]
CITY ENGINEER

[Signature]
DESIGN MANAGER

CITY OF TULSA, OKLAHOMA
ENGINEERING SERVICES DEPARTMENT

STANDARD CAST IRON CURB

DATE: MARCH 2022

STD. 767

REVISION	BY	DATE