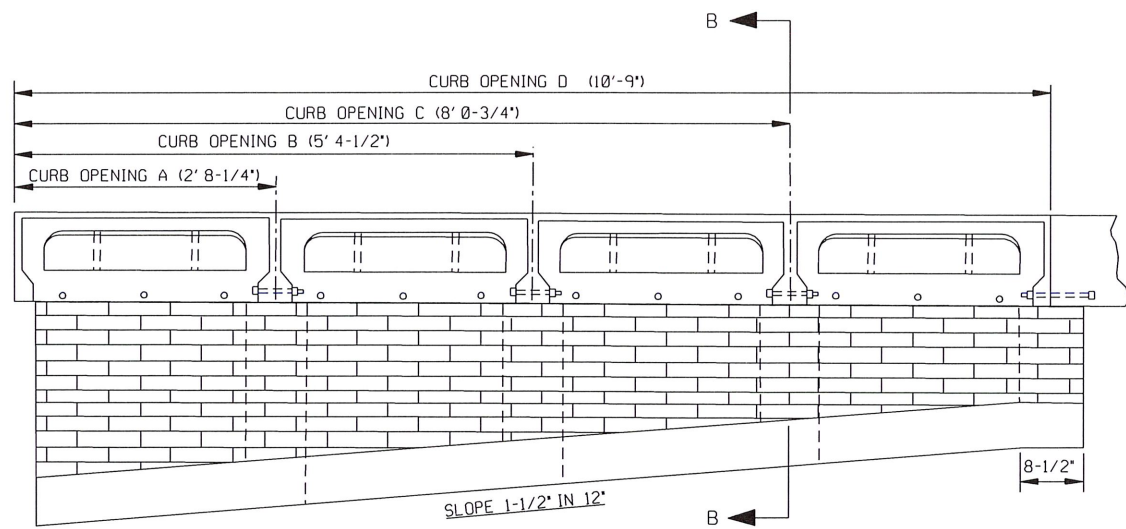
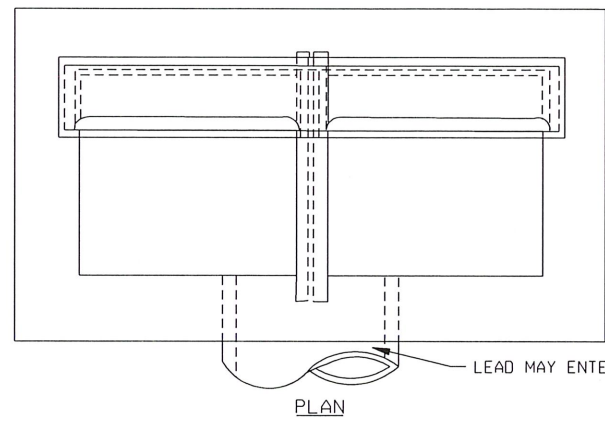


PATH NAME: /E1/PARTS/STD/DGN/STD/763-STD-MSNRY-STM-SWR-INLETS.DGN LFM 05/03/2012

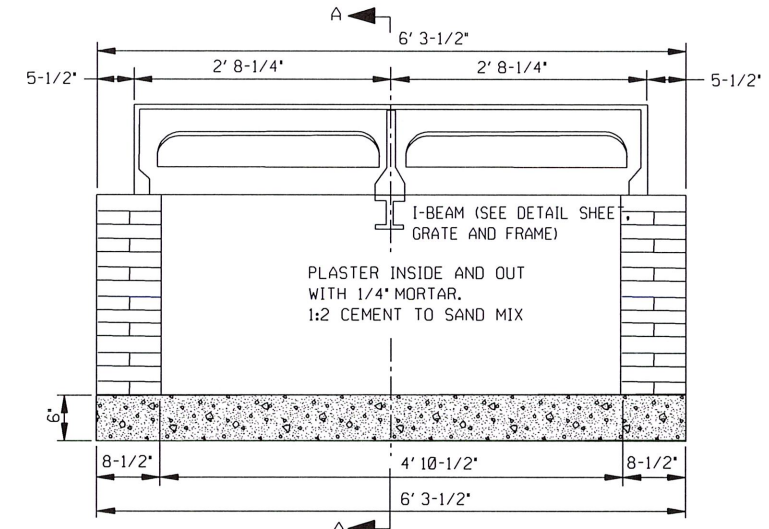


CURB INLETS SHALL BE PLACED UPSTREAM UNLESS OTHERWISE SPECIFIED

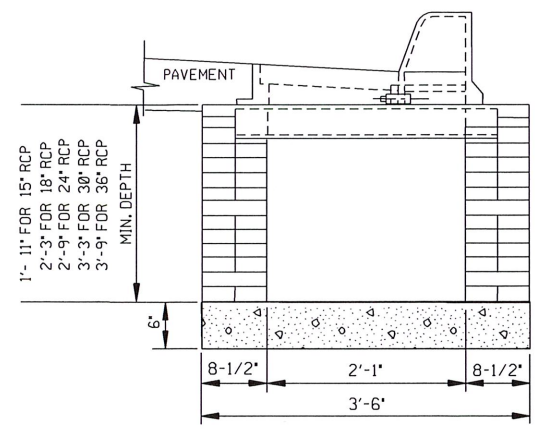
ELEVATION



PLAN



ELEVATION

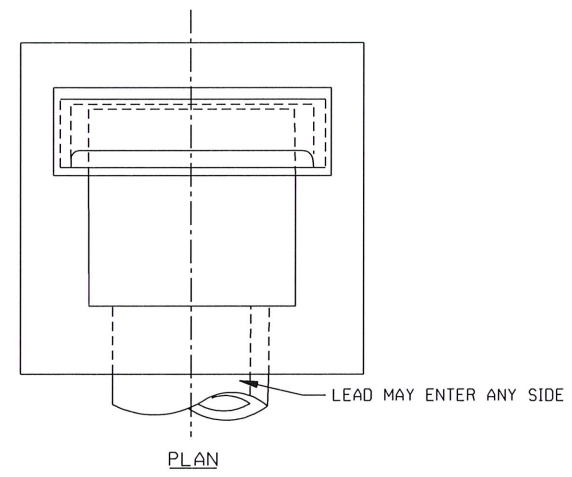


SECTION A-A

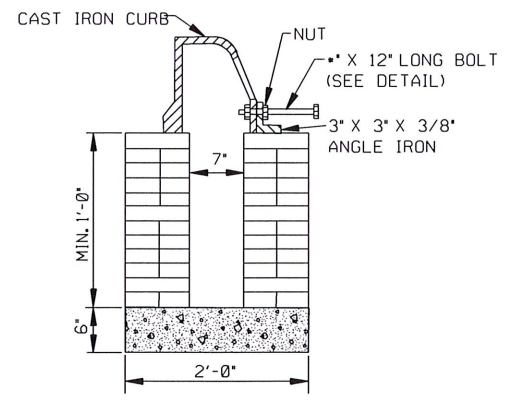
DOUBLE GRATE AND CURB INLET
DESIGN - 2

GENERAL NOTES

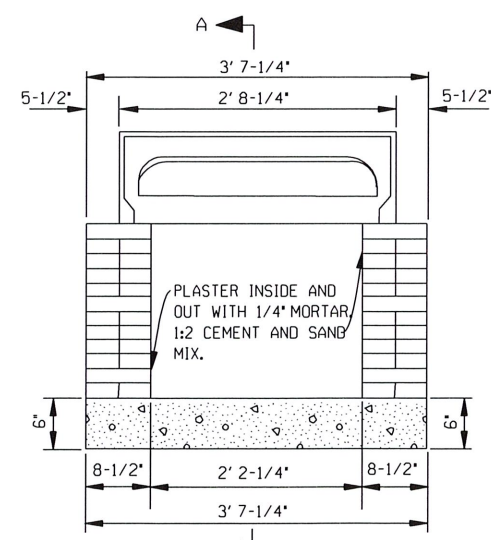
- (a) WHEN THE INLET IS BUILT IN EXISTING PAVEMENT, THE APRON AROUND THE INLET SHALL BE OF THE SIZE SHOWN IN THE PLAN ON THIS SHEET, AND BUILT OF P.C. CONCRETE TO A MINIMUM 8" THICKNESS.
- (b) THERE WILL BE NO DEDUCTION OF PAYMENT FOR CONCRETE CURB AND GUTTER FOR THE LENGTH OR AREA OCCUPIED BY THE CONSTRUCTION OF CAST IRON CURB INLETS OR CAST IRON CURB INLET FRAME AND GRATE.
- (c) BASE TO BE FORMED USING 6" AGGREGATE BASE.
- RUBBER COATED REINFORCED STEEL STEPS SHALL BE PLACED AT HEADERS IN ALL INLETS 3' OR MORE IN DEPTH. COST OF CAST IRON STEPS SHALL BE INCLUDED IN THE PRICE BID FOR INLET.
- GRATING AND FRAMES TO BE USED IN THIS INLET ARE SHOWN ON THE STANDARD DRAWING DESIGNATED AS "STANDARD STORMWATER GRATES AND FRAMES."
- THE STANDARD DRAWING DESIGNATION NO., DESIGN NO., AND NUMBER OF ADDITIONAL OPENINGS SHALL BE INDICATED ON THE PLANS.
- COST OF STRUCTURAL STEEL I-BEAMS AND ANGLE IRON TO BE INCLUDED IN THE PRICE BID FOR INLET. ANGLE IRON SHALL CONFORM TO ASTM-A7 OR A36.
- CASTING SHALL CONFORM TO ASTM SPECIFICATION FOR GREY-IRON CASTINGS, SERIAL DESIGNATION A-48-76 CLASS 30-B OR BETTER.
- NO WORDING OR MARKING OF ANY KIND OTHER THAN THOSE SHOWN ON THE PLANS WILL BE PERMITTED ON THESE CASTINGS.
- ALL NUTS AND BOLTS REQUIRED FOR THESE STRUCTURES SHALL BE CADMIUM PLATED OR GALVANIZED.
- CAST IRON CURBS TO BE USED ON THIS INLET ARE SHOWN ON STANDARD DRAWING DESIGNATED AS "STANDARD CAST IRON CURB."
- ALL MORTAR JOINTS TO BE 1/4" MAXIMUM. EVERY FIFTH COURSE OF BRICK MASONRY TO BE HEADER COURSE.
- PLASTER INSIDE AND OUT WITH 1/4" MORTAR, 1:2 CEMENT AND SAND MIX.



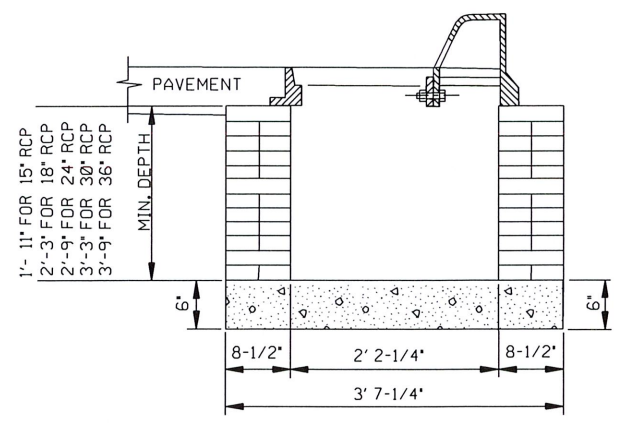
PLAN



SECTION B-B

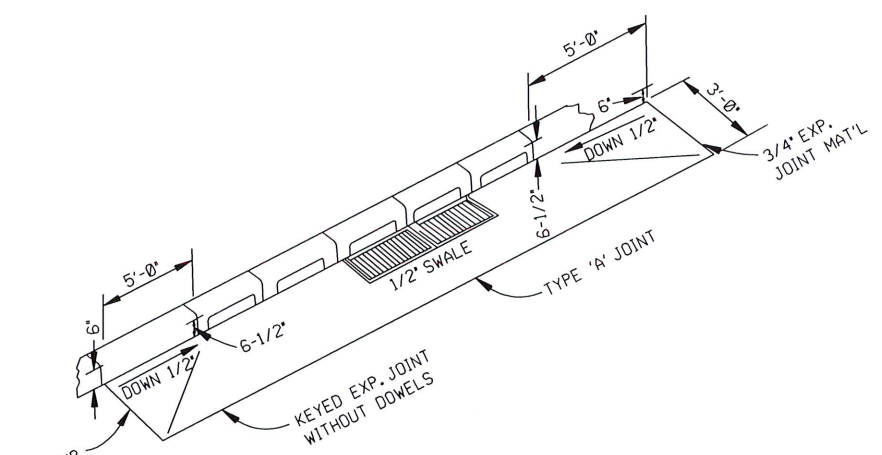


ELEVATION



SECTION A-A

SINGLE GRATE AND CURB INLET
DESIGN - 1



THIS SECTION TO BE USED IN CONCRETE PAVING.
IN ASPHALT PAVING, PLACE EXPANSION JOINT IN CURB AND GUTTER AT ENDS OF TOTAL STRUCTURE.

• DOUBLE GRATE IN SUMP AREAS ONLY

• FOR INDUSTRIAL AND ARTERIAL STREETS

REVISION	BY	DATE

[Signature]
CITY ENGINEER

[Signature]
DESIGN MANAGER

CITY OF TULSA, OKLAHOMA
ENGINEERING SERVICES DEPARTMENT

STANDARD MASONRY
STORMWATER INLETS
(FOR REHAB AND REFERENCE ONLY)

DATE: MARCH 2022

STD. 763