

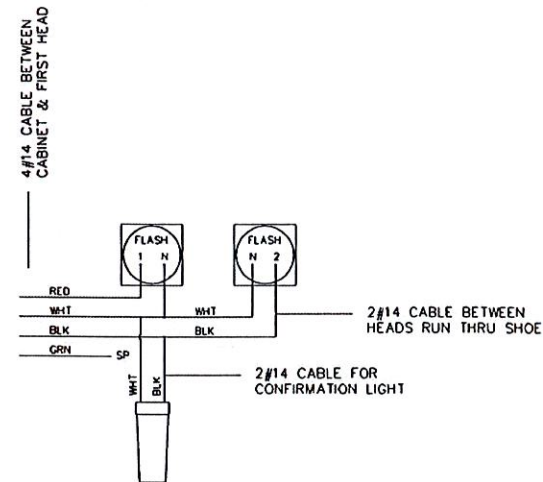
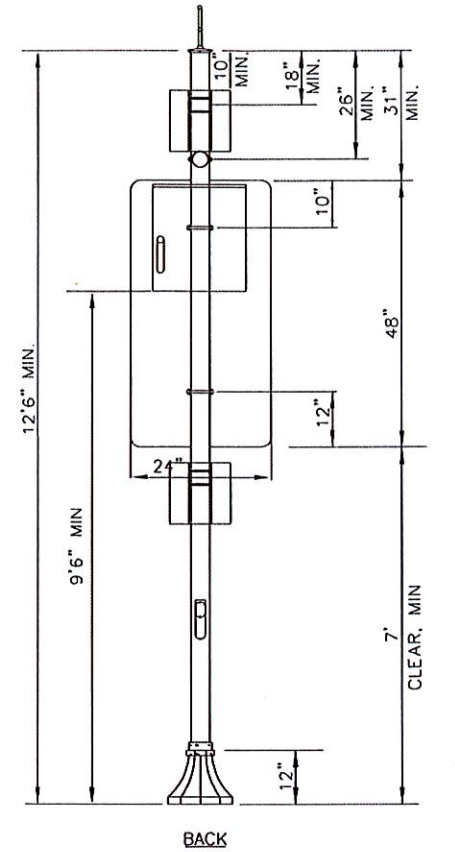
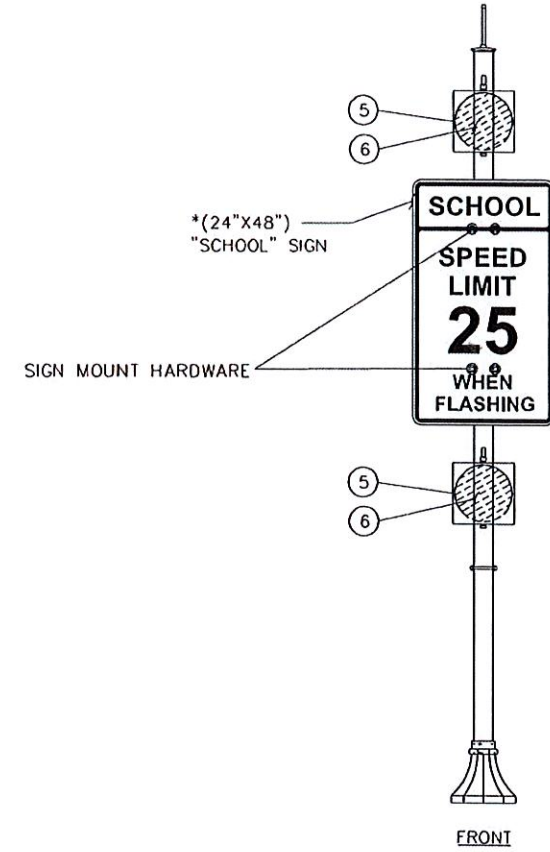
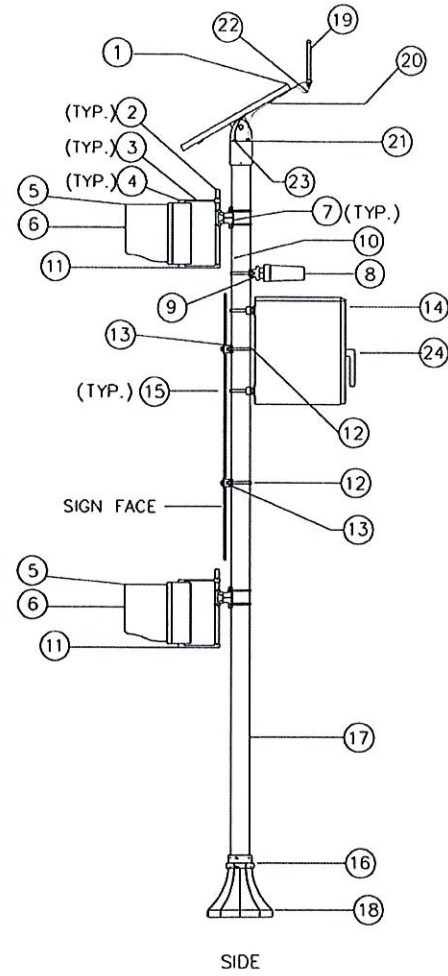
CONSTRUCTION NOTES;

1. 55 WATT SOLAR PANEL WITH 4 1/2" O.D. TOP OF POLE MOUNTING.
2. ALUMINUM GUSSETED TUBE.
3. 2-WAY UPPER ARM.
4. INSTALL NEOPRENE GASKET.
5. POLYCARBONATE YELLOW SIGNAL HEAD (Y-Y-Y) TUNNEL VISOR.
6. 12V DC AMBER LED'S.
7. STELLAR CLAMP.
8. CONFIRMATION LIGHT ASSEMBLY WITH CLEAR GLOBE.
9. 1-WAY HUB ASSEMBLY. DRILL 1-3/8" HOLE FOR CABLE ACCESS THRU POLE AND FILE SMOOTH 26" MINIMUM FROM TOP OF POLE.
10. DRILL 1-1/8" HOLE FOR CABLE ACCESS AND FILE SMOOTH 24" MINIMUM FROM TOP OF POLE.
11. 2-WAY LOWER ARM.
12. U-BOLT SIGN CLAMP.
13. INSTALL MOUNTING HARDWARE, 1-5/16" X 1-1/2" STAINLESS STEEL FLAT WASHER, 1-5/16" STAINLESS STEEL LOCK WASHER AND 1-5/16" STAINLESS STEEL HEX NUT.
14. CONTROLLER CABINET.
15. MOUNTING KIT FOR CONTROLLER CABINET.
16. POLE & BASE COLLAR ASSEMBLY.
17. 4" SPUN ALUMINUM POLE. (NO COATING)
18. ALUMINUM OCTAGONAL BASE ASSEMBLY.
19. ANTENNA.
20. 1/2" CARFLEX ELECTRICAL TUBING.
21. DRILL AND TAP HOLE FOR 1/2" CARFLEX THREADED CONNECTION.
22. ANTENNA COAX SHALL BE SECURED WITH UV RATED TIE WRAPS AND CABLE SHALL BE INSTALLED AS TO LIMIT EXPOSURE TO SUN LIGHT.
23. DRILL 7/8" HOLE FOR 1/2" CASE NIPPLE AND LOCKNUT.
24. CABINET DOOR SHALL LOCK USING A 3-POINT LOCKING SYSTEM, SIMILAR TO THE 3-POINT LOCKING SYSTEM USED IN 332 TRAFFIC SIGNAL CABINETS.

NOTE:

WIRE HEADS SO THEY WILL BOUNCE FLASH

- 4 #14 -- RED-FLASH #1  
 WHI-AC-  
 BLK-FLASH #2  
 GRN-SP



REVISION	BY	DATE
	T.R.F	6-13

*[Signature]*  
 CITY ENGINEER  
*[Signature]*  
 CITY TRAFFIC ENGINEER

CITY OF TULSA, OKLAHOMA  
 ENGINEERING SERVICES DEPARTMENT  
 Solar Powered School Flasher  
 Detail  
 DATE: 6-29-2022 STD. NO.629 A