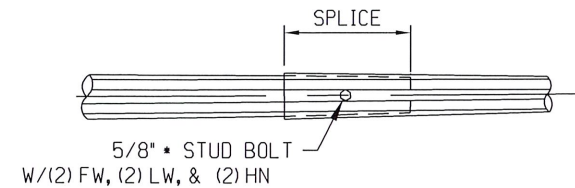
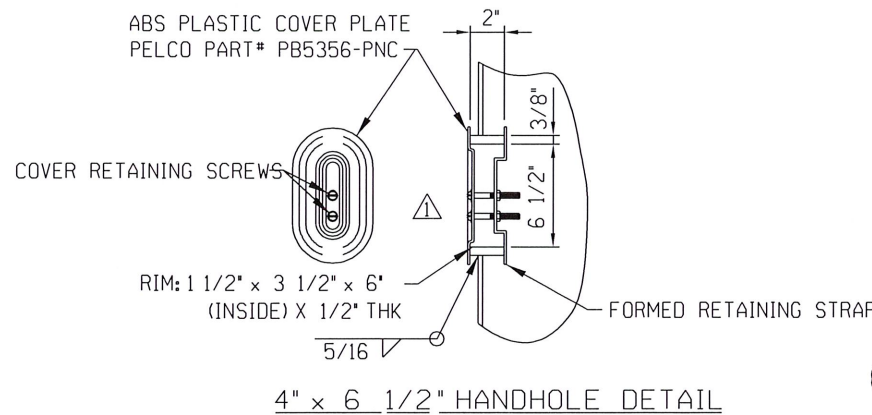


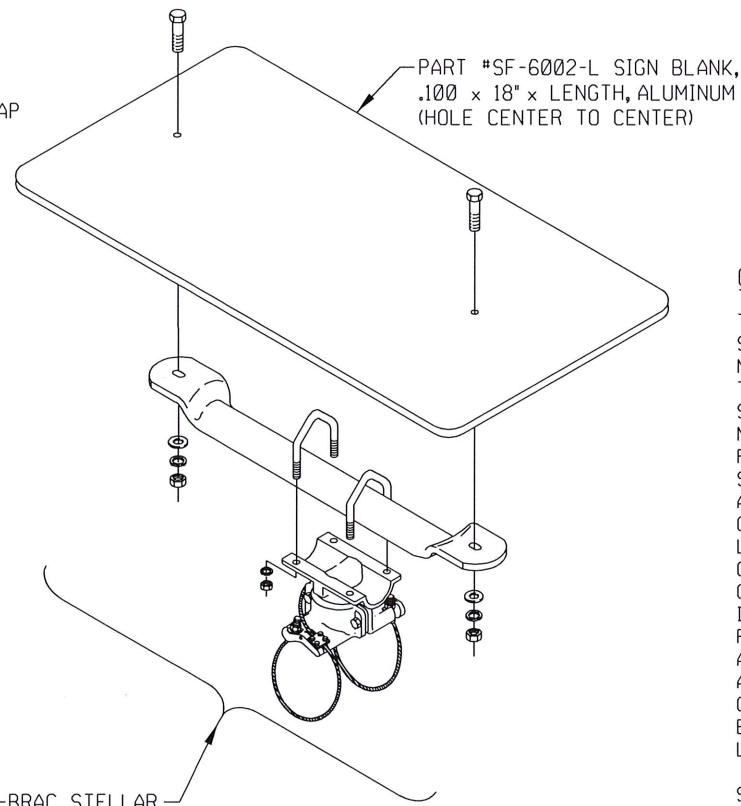
POLE SCHEDULE

POLE NUMBER	QTY.	SINGLE MAST ARM																																						
		SHAFT				ANCHOR BOLTS		BASE PLATE			ARM SHAFT					FLANGE BOLTS			ARM ATTACHMENT																					
		BOT OD	TOP OD	THK.	LENGTH	QTY.	DIA.	LENGTH	THK.	PL SQ.	BC	ARM NUMBER	BOT OD	TOP OD	THK.	LENGTH	SPLICE	ANG. (DEG)	RISE	QTY.	DIA.	LENGTH	"A"	"B"	"C"	"D"	"E"	"F"	"G"	"H"										
1R	-	12.000"	8.208"	.2500"	22'-9"	4	1 1/2"	54"+6"	1 1/2"	17"	16.5"	1R10																												
												1R18	7.500"	5.000"	.1875"	18'-0"	-	1.75	6 1/2"	4	1 1/4"	4 1/2"	17.000"	13.500"	12.000"	8.500"	1 1/4"	3/8"	1 1/4"	1 1/4"										
												1R24	8.250"	5.000"	.1875"	24'-0"			8 3/4"																					
2B	-	14.000"	9.640"	.2500"	22'-9"	4	1 1/2"	54"+6"	1 1/2"	19"	18.5"	2B30	10.000"	5.000"	.1875"	30'-0"	-	2.00	12 1/2"	4	1 1/4"	5"	18.000"	14.500"	15.000"	11.500"	1 1/4"	1/2"	1 1/2"	1 1/2"										
												2B36	11.500"	5.000"	.1875"	36'-0"			15"																					
												3G42	13.250"	5.000"	.1875"	42'-0"			20"																					
3G	-	15.500"	11.708"	.3125"	22'-9"	4	1 3/4"	84"+6"	1 3/4"	21"	20.5"	3G46	14.000"	5.000"	.1875"	46'-0"	-	2.25	21 3/4"	4	1 1/2"	5 1/4"	24.000"	20.000"	19.000"	15.000"	1 1/2"	3/4"	1 1/2"	1 1/2"										
												3G50	15.000"	5.000"	.1875"	50'-0"			23 1/2"																					
												4Y54	12.750"	8.154"	.3125"	30'-1"	1'-1"	2.50	28 1/4"	4	1 1/2"	5 3/4"	24.000"	20.000"	19.000"	15.000"	1 1/2"	7/8"	1 3/4"	1 3/4"										
4Y	-	17.250"	13.269"	.3125"	22'-9"	4	1 3/4"	84"+6"	1 3/4"	23"	22.5"	4Y58	13.500"	8.211"	.3125"	34'-1"	1'-1"	2.50	30 1/2"	4	1 1/2"	5 3/4"	24.000"	20.000"	19.000"	15.000"	1 1/2"	7/8"	1 3/4"	1 3/4"										
													8.879"	5.000"	.1875"	25'-0"	1'-1"	2.75	35 3/4"	4	1 1/2"	5 3/4"	25.000"	21.000"	20.000"	16.000"	1 1/2"	1"	1 3/4"	1 3/4"										
												5W62	14.250"	9.794"	.3125"	28'-4"	1'-4"	2.75	38"	4	1 1/2"	5 3/4"	25.000"	21.000"	20.000"	16.000"	1 1/2"	1"	1 3/4"	1 3/4"										
5W	-	19.750"	15.958"	.3125"	22'-9"	4	2"	90"+6"	2"	27"	26"	5W66	15.000"	9.856"	.3125"	32'-4"	1'-4"	2.75	40 1/2"	4	1 1/2"	5 3/4"	25.000"	21.000"	20.000"	16.000"	1 1/2"	1"	1 3/4"	1 3/4"										
													10.504"	5.000"	.1875"	35'-0"	1'-4"	2.75	40 1/2"	4	1 1/2"	5 3/4"	25.000"	21.000"	20.000"	16.000"	1 1/2"	1"	1 3/4"	1 3/4"										
												5W70	16.500"	10.271"	.3125"	36'-4"	1'-4"	2.75	40 1/2"	4	1 1/2"	5 3/4"	25.000"	21.000"	20.000"	16.000"	1 1/2"	1"	1 3/4"	1 3/4"										
												11.000"	5.000"	.1875"	35'-0"	1'-4"	2.75	40 1/2"	4	1 1/2"	5 3/4"	25.000"	21.000"	20.000"	16.000"	1 1/2"	1"	1 3/4"	1 3/4"											

LUMINAIRE EXTENSION						
EXT. NO.	POLE NO.	QTY.	SHAFT			
			BOT OD	TOP OD	THK.	LENGTH
1RE	1R	-	8.958"	7.500"	.1875"	8'-9"
2BE	2B	-	10.427"	8.750"	.1875"	8'-9"
3GE	3G	-	12.458"	11.000"	.1875"	8'-9"
4YE	4Y	-	14.031"	12.500"	.1875"	8'-9"
5WE	5W	-	16.708"	15.250"	.1875"	8'-9"



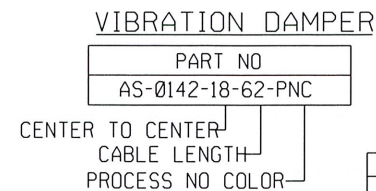
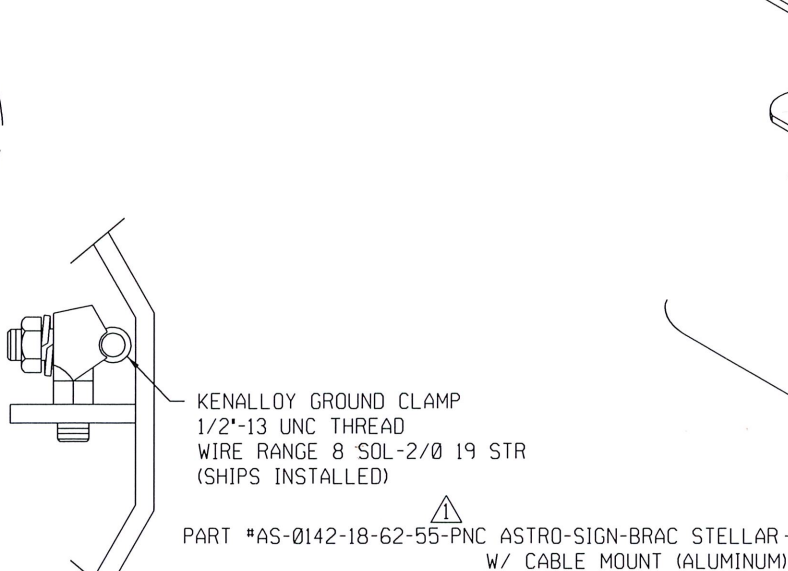
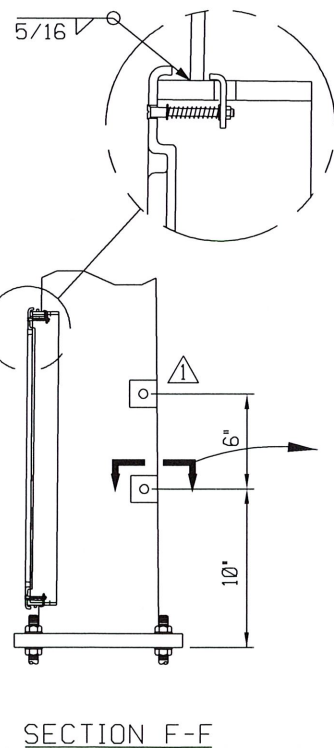
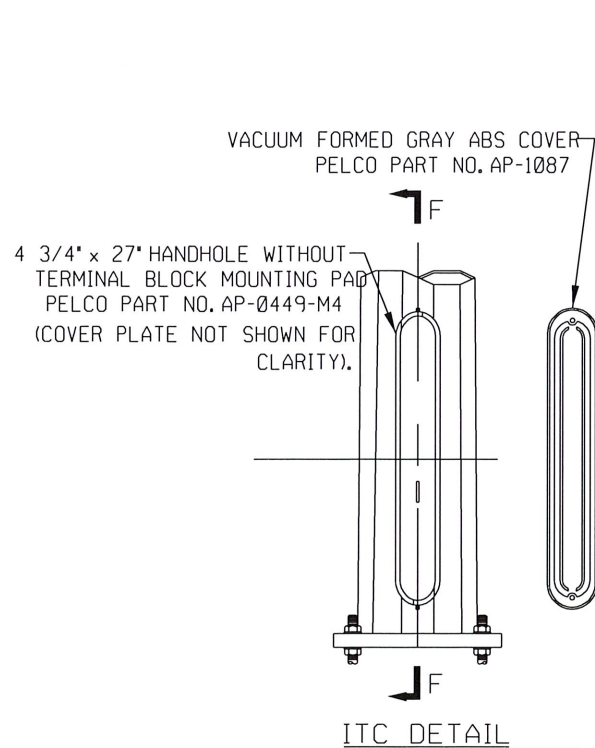
SPLICE DETAIL
(FOR ARMS OVER 50'-0")



GENERAL NOTES

THE ASSEMBLIES SHALL BE MULTI-SIDED, TAPERED STEEL MONOTUBE TRAFFIC SIGNAL MAST ARMS AND POLES.
 MAST ARM POLES SHALL BE DESIGNED TO SUPPORT SIGNALS AND/OR SIGNS OF THE WEIGHT AND AREA AS INDICATED ON THE PLANS. MAST ARMS AND POLES SHALL BE DESIGNED FOR A MINIMUM OF 90 MPH WIND VELOCITY AND SHALL MEET ALL OTHER DESIGN REQUIREMENTS OF AASHTO 'STANDARD SPECIFICATIONS FOR STRUCTURAL SUPPORTS FOR HIGHWAY SIGNS, LUMINAIRES AND TRAFFIC SIGNALS' 2009, FATIGUE CATEGORY II. GALLOPING NOT CONSIDERED.
 ALL MAST ARMS SHALL BE PERMANENTLY MARKED WITH THE LENGTH OF THE ARM ON THE FLANGE PLATE. POLES ARE TO BE PERMANENTLY MARKED WITH THE ARM LENGTH RANGE ON THE TOP SIDE OF THE BASE PLATE. ALL PARTS (TOP, END CAPS, HAND HOLE COVERS AND ATTACHMENT HARDWARE) WITH THE EXCEPTION OF THE ANCHOR BOLTS, ARE TO BE PACKED ON A PER POLE BASIS AND IDENTIFIED FOR THE MAST ARM ASSEMBLY THAT CORRESPONDS WITH THE PARTS. PRIOR TO INSTALLATION, ALL MATERIALS SHALL BE INSPECTED BY AN AUTHORIZED AGENT OF THE CITY TO INSURE COMPLIANCE WITH THE SPECIFICATIONS. ALL MATERIAL AND WORKMANSHIP FOR THESE PRODUCTS MUST BE UNITED STATES ORIGIN. ALL WELDING MUST BE PERFORMED AT THE MANUFACTURER'S PLACE OF BUSINESS BY AWS CERTIFIED WELDERS. ALL WELDS SHALL CONFORM TO THE LATEST AWS D1.1 REQUIREMENTS.

SEE CITY OF TULSA SPECIFICATION FOR GALVANIZED STEEL MAST ARM ASSEMBLIES FOR FURTHER DETAILS OF MATERIALS, DESIGN AND WORKMANSHIP.



REVISION	BY	DATE

[Signature]
CITY ENGINEER

[Signature]
CITY TRAFFIC ENGINEER

CITY OF TULSA, OKLAHOMA
ENGINEERING SERVICES DEPARTMENT

SIGNAL POLES AND MAST ARMS

DATE: MARCH 2022 STD. 617A