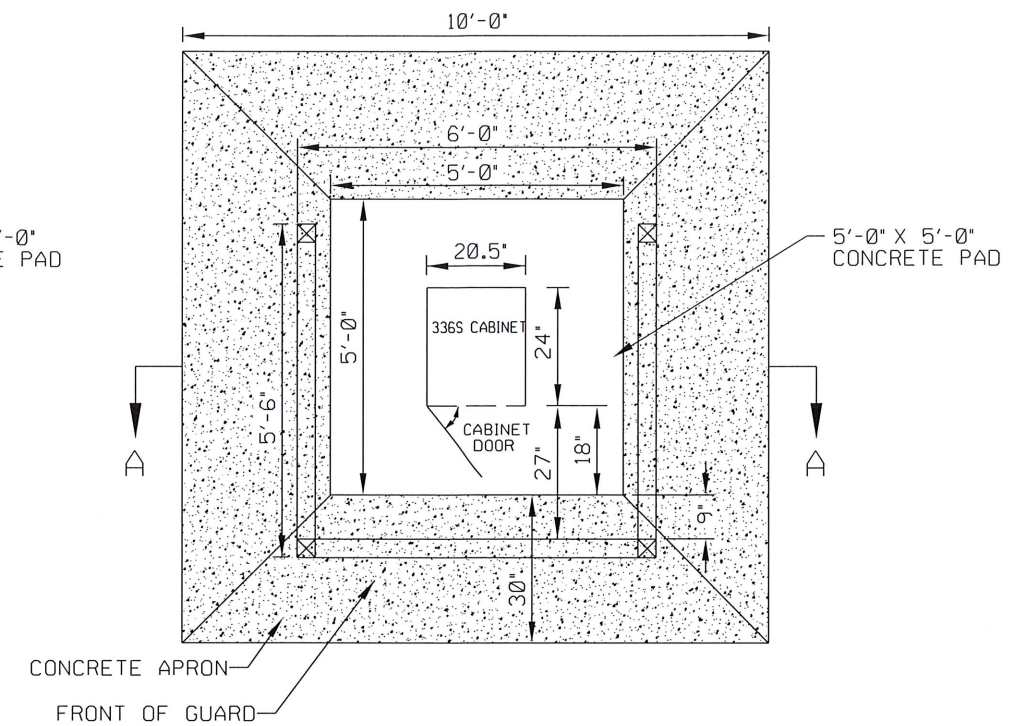
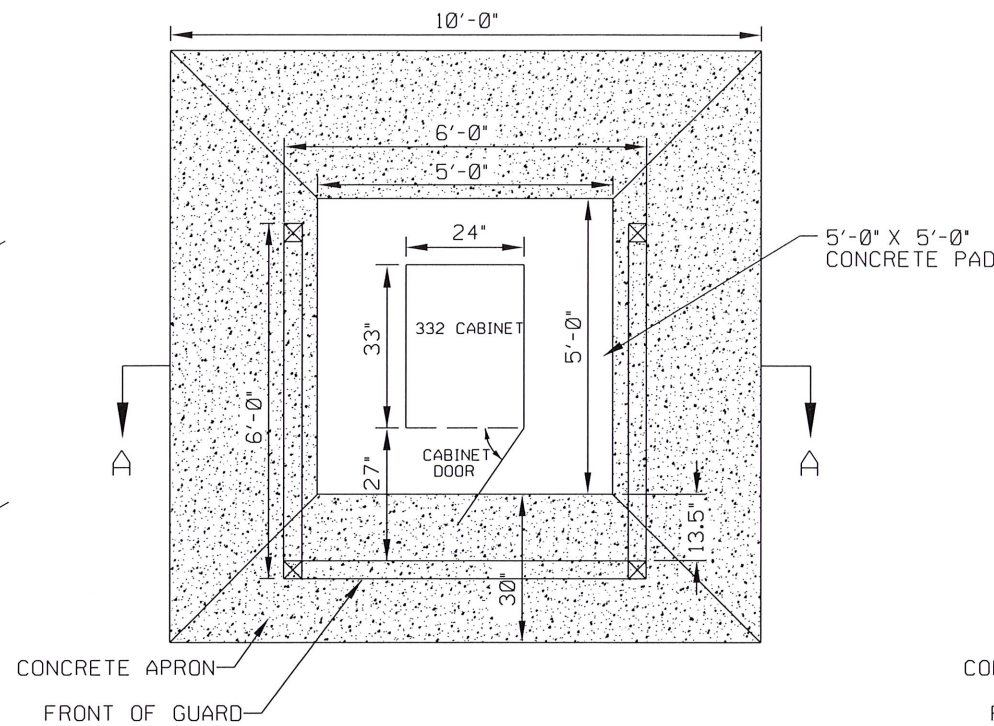
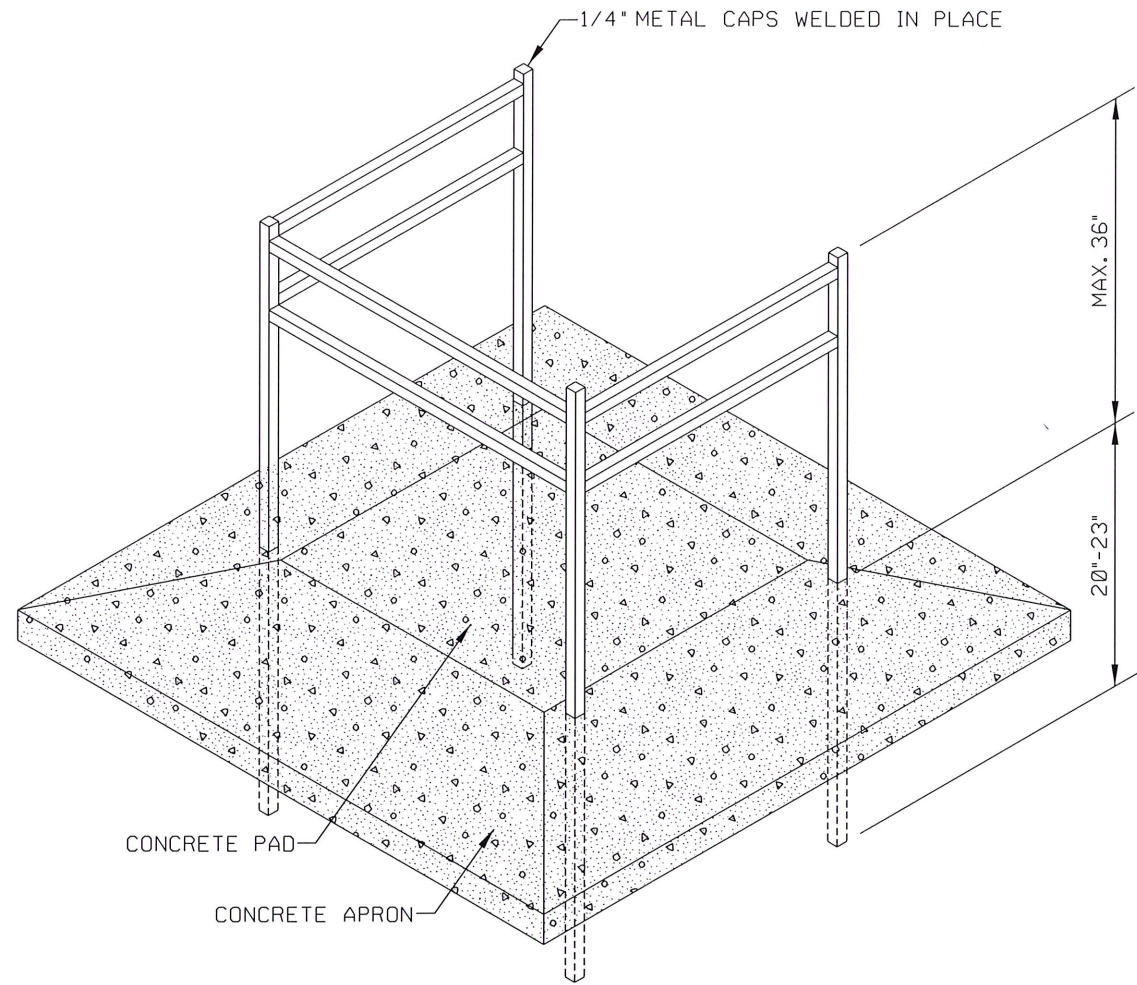


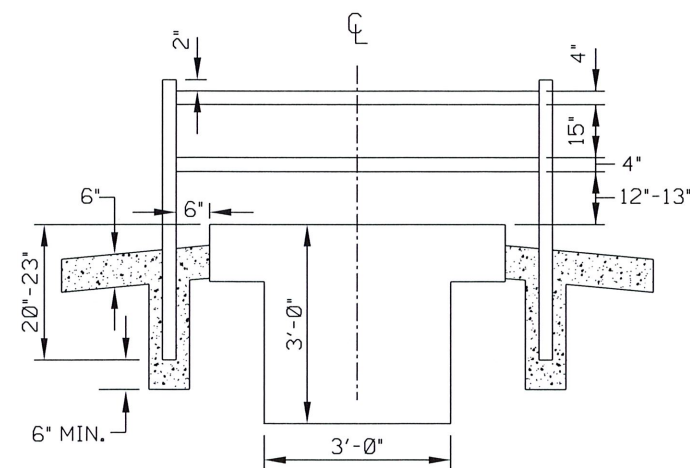
PATH NAME: /E1/PARTS/STD/DGN_STDS/612-cbnt-gr-d-de.t.dgn SBW 09/14/2012



PLACEMENT TOP VIEW - 332 CABINET GUARD PLACEMENT TOP VIEW - 336S CABINET GUARD

NOTE:

1. TOLERANCE OF CABINET GUARD SHALL BE 1/4" MEASURED FROM DIAGONAL. HORIZONTAL NUMBERS SHALL BE PLUMB AND LEVEL. GUARD SHALL BE CENTERED AROUND CONTROLLER BASE.
- *2. LOCATION AND ORIENTATION OF CABINET AND CABINET GUARD TO BE APPROVED BY THE TRAFFIC ENGINEER PRIOR TO INSTALLATION.
- *INSPECTION POINTS REQUIRED BY TRAFFIC OPERATIONS PERSONNEL.



SECTION A-A
PLACEMENT FRONT VIEW

REVISION	BY	DATE

Kuldsey
CITY ENGINEER

Rent W. Kelly
CITY TRAFFIC ENGINEER

CITY OF TULSA, OKLAHOMA
ENGINEERING SERVICES DEPARTMENT

CABINET GUARD DETAIL

DATE: MARCH 2022

STD. 612