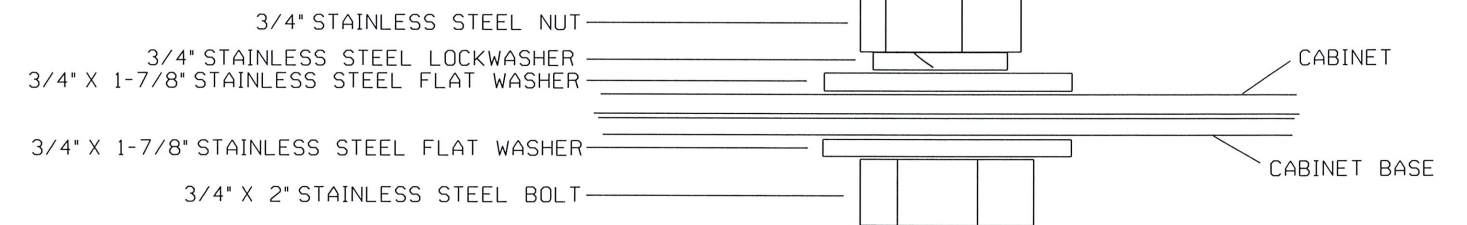
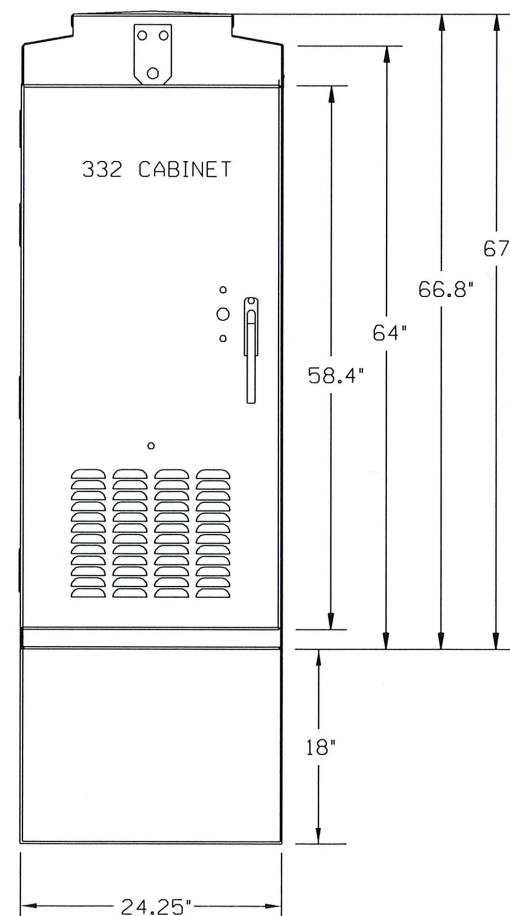
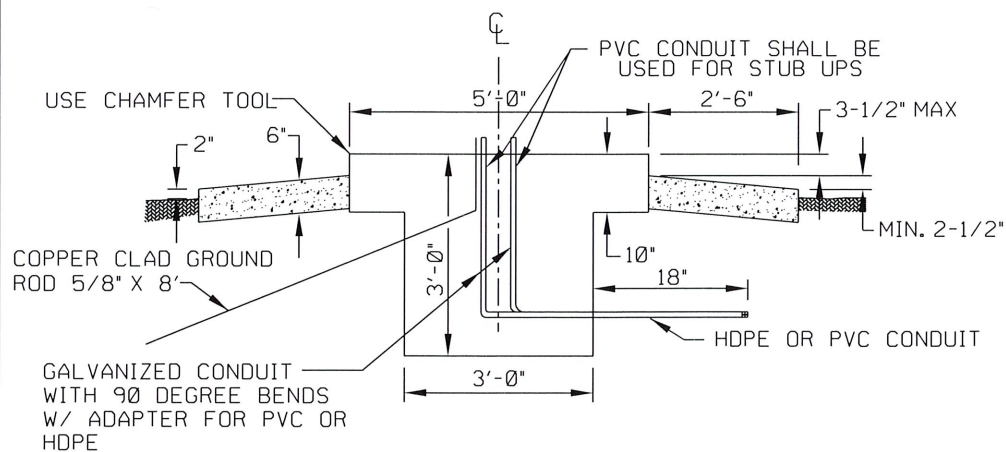
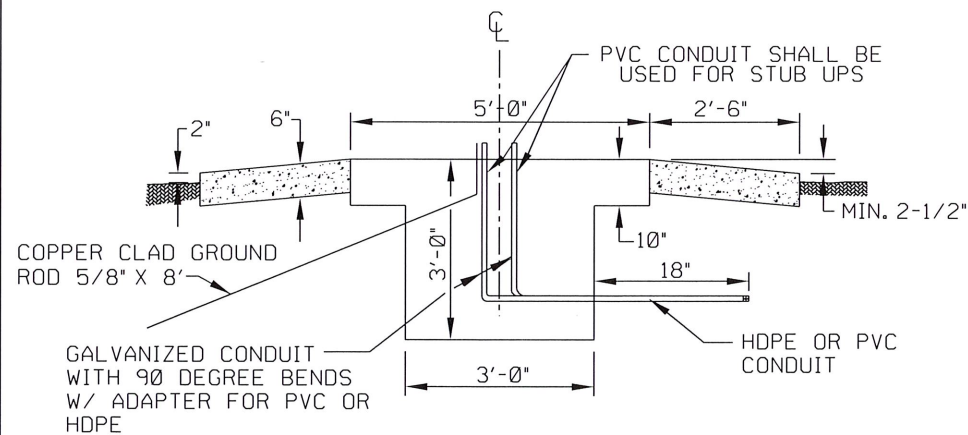
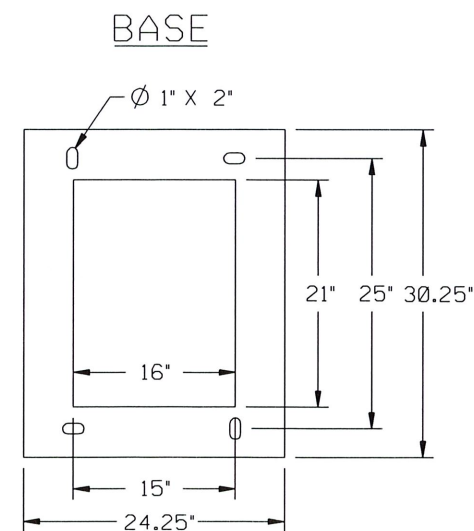


**NOTE:**

1. ALL MEASUREMENTS ARE FROM FINISH GRADE.
2. ALL CONDUIT TO BE SPECIFIED BY ENG. PLANS.
3. CONDUIT CLUSTER AT THE CENTER OF THE CONCRETE PAD SHALL BE THE HIGH POINT OF THE PAD TO PREVENT WATER FROM POOLING ON THE PAD.



**CABINET BOLT DETAIL**



REVISION	BY	DATE

*[Signature]*  
CITY ENGINEER

CITY OF TULSA, OKLAHOMA  
ENGINEERING SERVICES DEPARTMENT

*[Signature]*  
CITY TRAFFIC ENGINEER

332 CONTROLLER CABINET DETAIL

DATE: MARCH 2022

STD. 610A