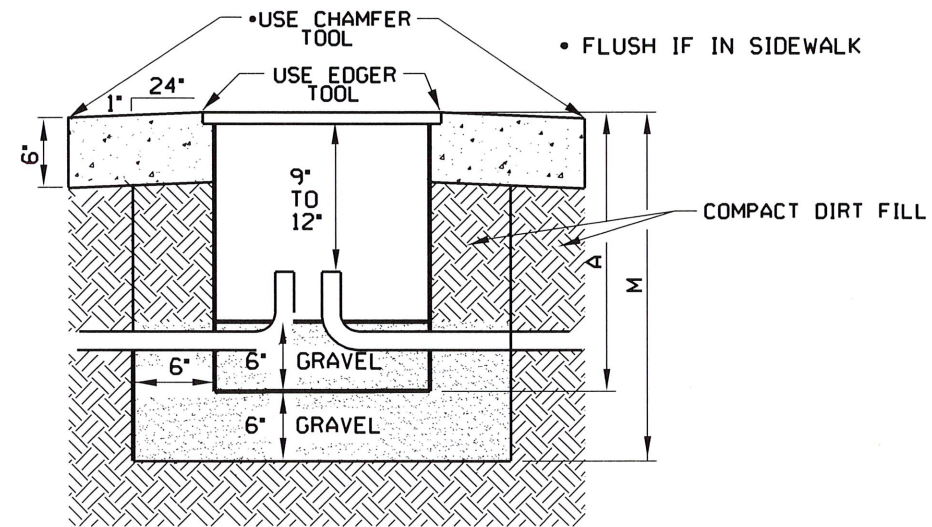
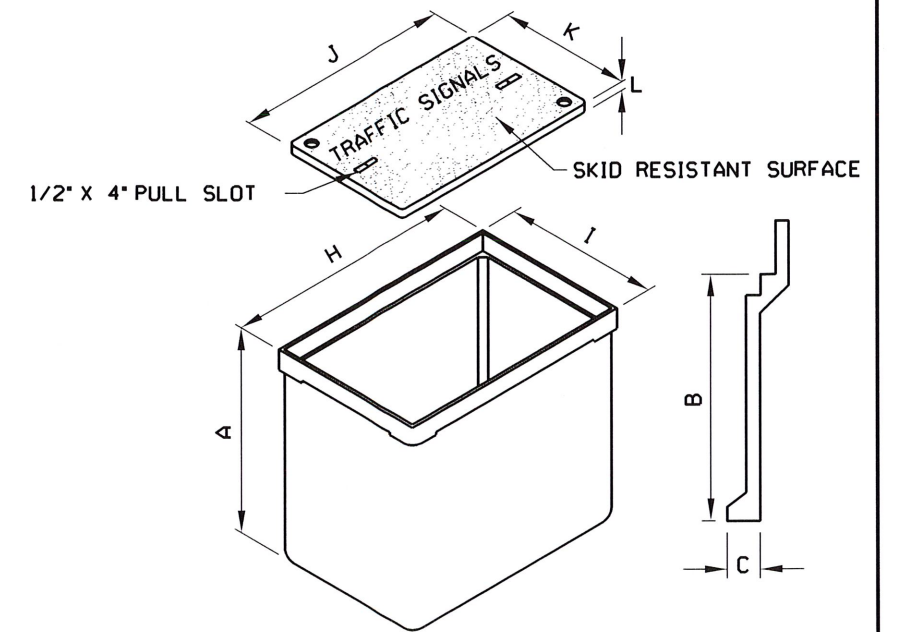
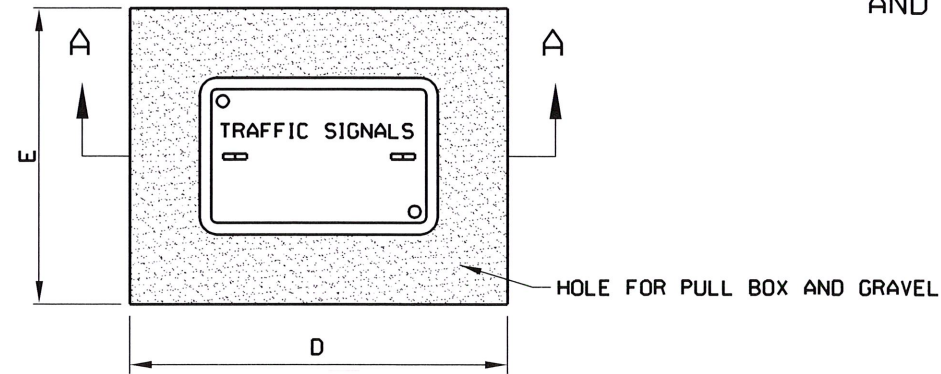


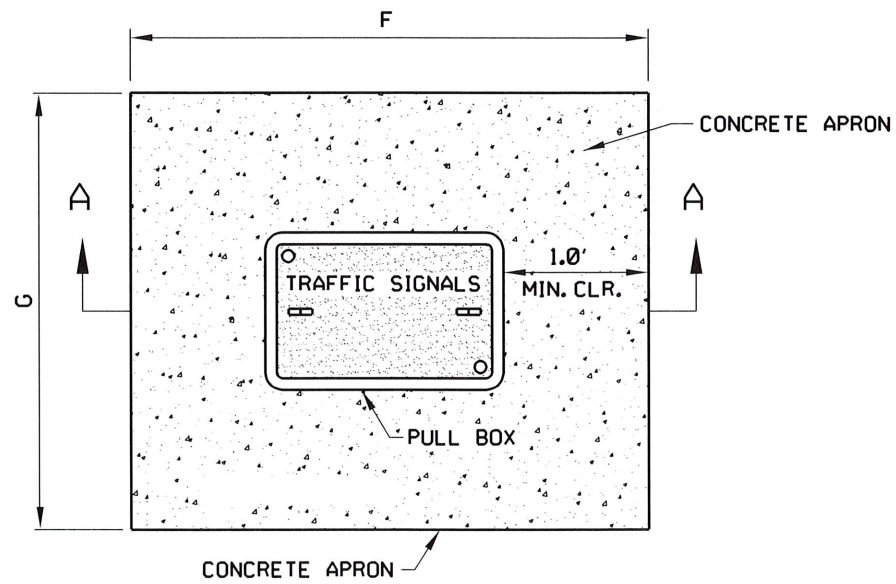
PATH NAME: /E1/PARTS/STD/DGN/STD/601-pull-box-inst.dgn RSB 03/30/2020

| PULL BOX SIZE | A | B | C | D | E | F | G | H | I | J | K | L | M | CLASS 'A' CONCRETE(CY) |
|---------------|---------|---------|--------|---------|---------|---------|---------|---------|---------|---------|---------|------|-----|------------------------|
| I | 18 1/2" | 17 1/4" | 1 1/2" | 32 1/2" | 25 1/2" | 44 1/2" | 37 1/2" | 20 1/2" | 13 1/2" | 18 1/2" | 11 1/2" | 3/4" | 24" | 0.18 |
| II | 24" | 22" | 1 1/4" | 44 1/4" | 31 1/4" | 56 1/4" | 43 1/4" | 32 1/4" | 19 1/4" | 30 1/2" | 17 1/2" | 2" | 30" | 0.23 |
| III | 24" | 21" | 2" | 49 5/8" | 38" | 61 5/8" | 50" | 37 5/8" | 26" | 35 5/8" | 24" | 3" | 30" | 0.27 |

• THE DIMENSIONS FOR THE PULL BOXES ARE NOMINAL AND MAY VARY SLIGHTLY BY THE MANUFACTURER'S DESIGN



SECTION A-A



| REVISION | BY | DATE |
|----------|----|------|
| | | |
| | | |
| | | |

[Signature]
CITY ENGINEER
CITY TRAFFIC ENGINEER

CITY OF TULSA, OKLAHOMA
ENGINEERING SERVICES DEPARTMENT

PULL BOX INSTALLATION
DATE: MARCH 2022
STD. 601