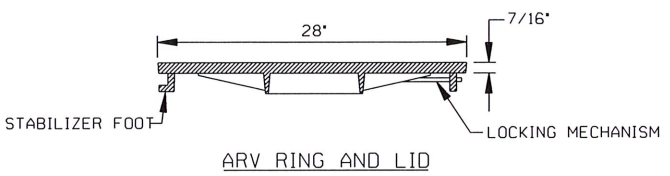
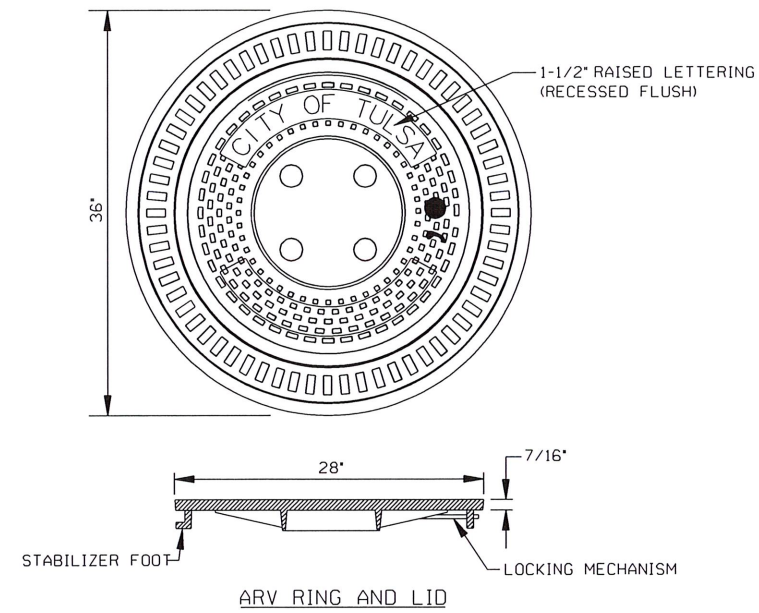
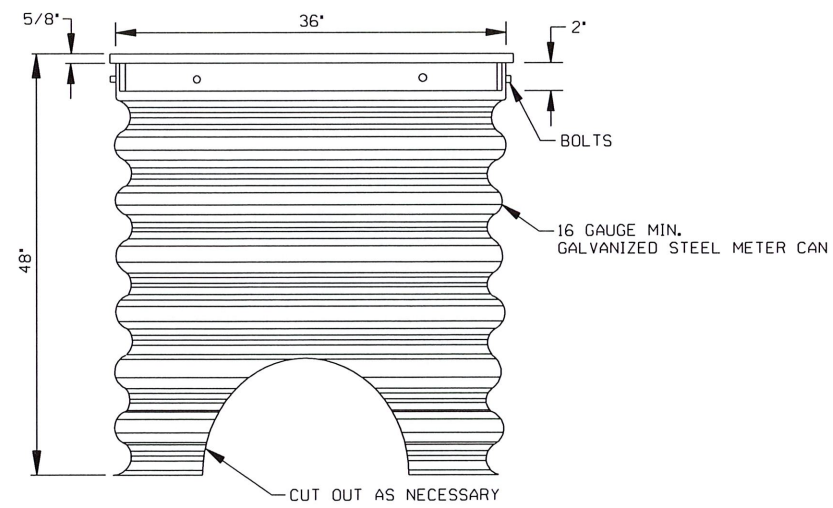


ELEVATION VIEW



ARV RING AND LID



ARV CAN

- NOTE:**
1. ARV'S SHOWN NOT TO EXCEED 5 LBS IN WEIGHT FITTINGS COMPATIBLE WITH THE TYPE OF PIPE FURNISHED.
 2. LOCATE IN GREEN AREAS ONLY.

TO BE FURNISHED AND INSTALLED BY CONTRACTOR

- 1 - 2" COMBO ARV OR EQUAL (5 LBS OR LESS)
- 1 - 36" X 48" METER CAN W/ RIM AND LID
- 1 - 2" CORP STOP
- 1 - 2" X _____ SADDLE
- 1 - 2" NIPPLE, 9" LONG, THD X THD
- 1 - 2" BALL VALVE, BRONZE
- 1 - 2" NIPPLE, 2" LONG, THD X THD

 CITY ENGINEER	CITY OF TULSA, OKLAHOMA ENGINEERING SERVICES DEPARTMENT
 DESIGN MANAGER	COMBINATION AIR VACUUM / RELIEF VALVE VAULT FOR 2" ARV LESS THAN 5 LBS IN WEIGHT
DATE: MARCH 2022 STD. 327	

REVISION	BY	DATE