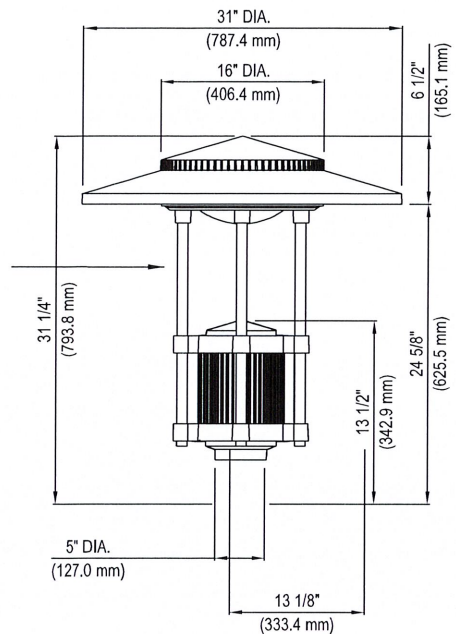


KIM BOUNCE LED PEDESTRIAN SCALE LUMINA, OR APPROVED EQUAL. TYPE II DISTRIBUTION, COLOR SHALL BE BLACK



- NOTES:
1. INSTALLATION TO BE COMPLETED IN ACCORDANCE WITH MANUFACTURER'S SPECIFICATIONS.
 2. DRAWINGS ARE NOT TO SCALE
 3. BACKLIGHT CONTROL PER MANUFACTURER REFERENCE NUMBER 433-108.

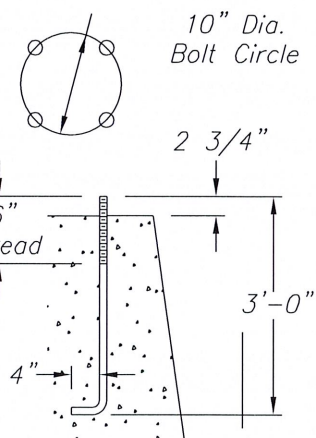
NOTE: FOR POLE BASE STANDARD SEE STD. 804/805

HAPCO 51-001 Pole Or Approved Equal
Tapered Alum. Tube
0.156 in Wall Alloy 6063-T6
Satin Ground Finish

Note:
For Black Thermoset Polyester Powder Coat
Paint, 2.5 mil. Nominal Thickness Over
Titanated Zincromium Conversion Coating

- (4) 1"-8NC Galv. Stl. Anchor Bolts, AASHTO M314-90 Grade 55, 10" Of Threaded End Galv. Per ASTM A153.
- (4) 1"-8NC Galv. Stl. Hex. Nuts
- (4) 1" Galv. Stl. Lockwashers
- (4) 1" Galv. Stl. Flatwashers

- Ground Lug (Opposite Handhole C)
- 3" x 5" Reinforced Handhole With Cover And Stainless Steel Hex. Hd. Screws
- Base Flange Alloy 356-T6
- Spun Alum. Base Cover (60896) With S.S. Hex Head Screw



STREET LIGHT STANDARD - RIVER PARKS POLE AND FIXTURE	
CITY OF TULSA, OKLAHOMA ENGINEERING SERVICES DEPARTMENT	
DRAWN BY: R.M.O.	APPROVED:
CHECKED BY:	
DATE: MARCH 2022	
NOT TO SCALE	STANDARD NO. 806