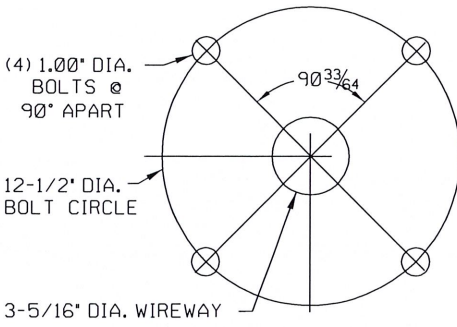
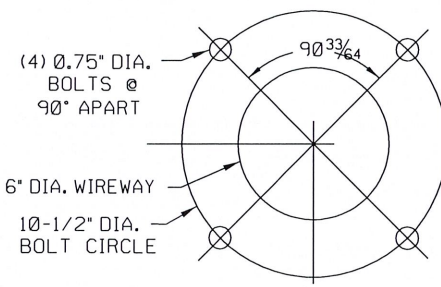


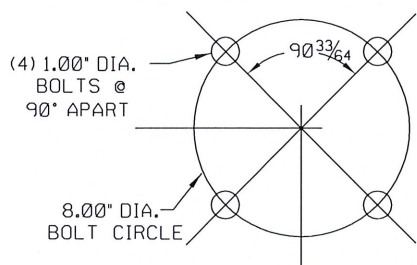
STD 800 ANCHOR BOLT LAYOUT
SCALE: NONE



STD 801 ANCHOR BOLT LAYOUT
SCALE: NONE

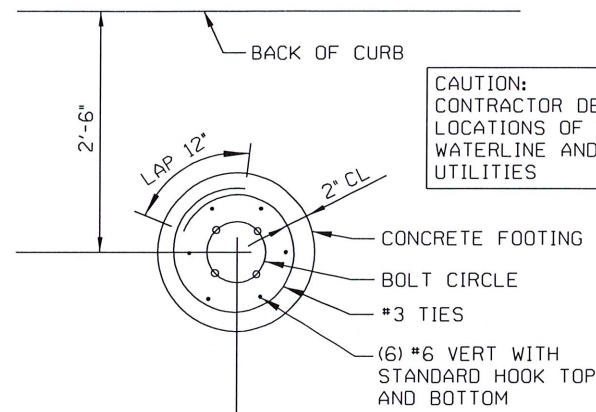


STD 802A ANCHOR BOLT LAYOUT
SCALE: NONE

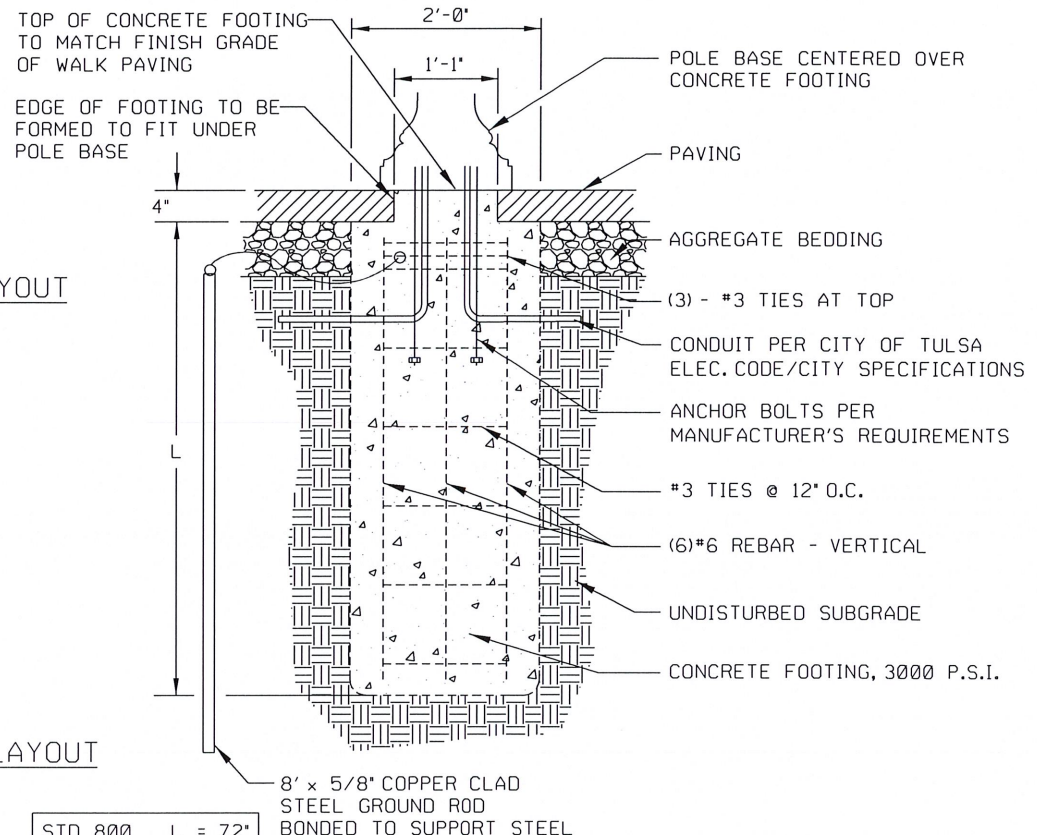


STD 802B ANCHOR BOLT LAYOUT
SCALE: NONE

REFER TO MANUFACTURER FOR GEOMETRY OF POLE BASE NOT SHOWN



CAUTION:
CONTRACTOR DETERMINE
LOCATIONS OF EXISTING
WATERLINE AND OTHER
UTILITIES



STD 800	L = 72"
STD 801	L = 78"
STD 802A	L = 72"
STD 802B	L = 81"

DRILLED PIER LIGHTPOLE FOUNDATION
SCALE: NONE

POLE BASE DETAILS FOR STANDARDS 800, 801, 802	
CITY OF TULSA, OKLAHOMA ENGINEERING SERVICES DEPARTMENT	
DRAWN BY: R.M.O.	APPROVED: <i>[Signature]</i>
CHECKED BY: <i>HAS</i>	
DATE: MARCH 2022	
NOT TO SCALE	STANDARD NO. 804

PATH: /e1/parts/std/DCN_stds/804-LightPoleBaseDetail.dgn SBW 03/16/2015