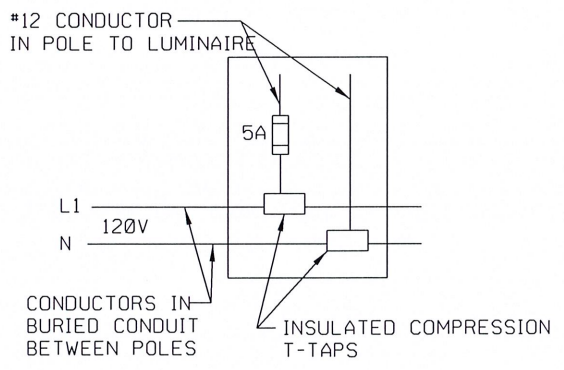


POLE DETAIL  
SCALE: NONE

\* DIMENSION TOLERANCE  
+/- 1" WHERE INDICATED



HAND HOLE DETAIL "A"  
SCALE: NONE

NOTE:  
FOR POLE BASE STANDARD  
SEE STANDARD 804/805

STREET LIGHT STANDARD BLUE DOME POLE AND FIXTURE	
CITY OF TULSA, OKLAHOMA ENGINEERING SERVICES DEPARTMENT	
DRAWN BY: R.M.O. CHECKED BY: <i>HAS</i> DATE: MARCH 2022	APPROVED: <i>[Signature]</i>
NOT TO SCALE	STANDARD NO. 801