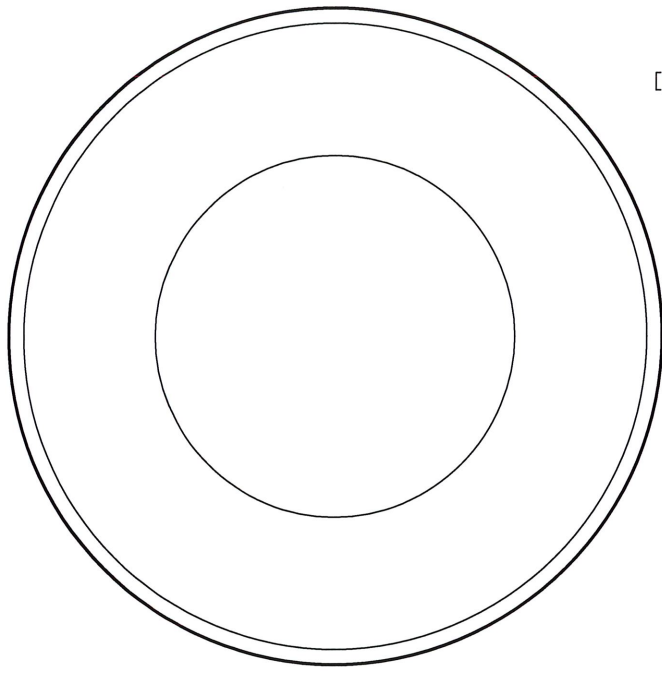
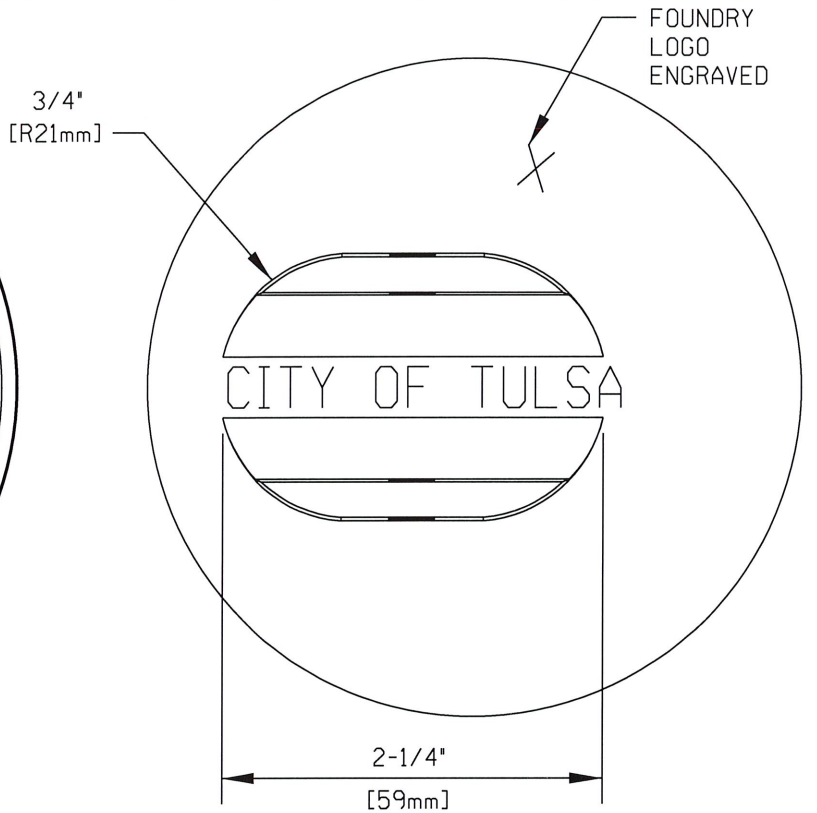


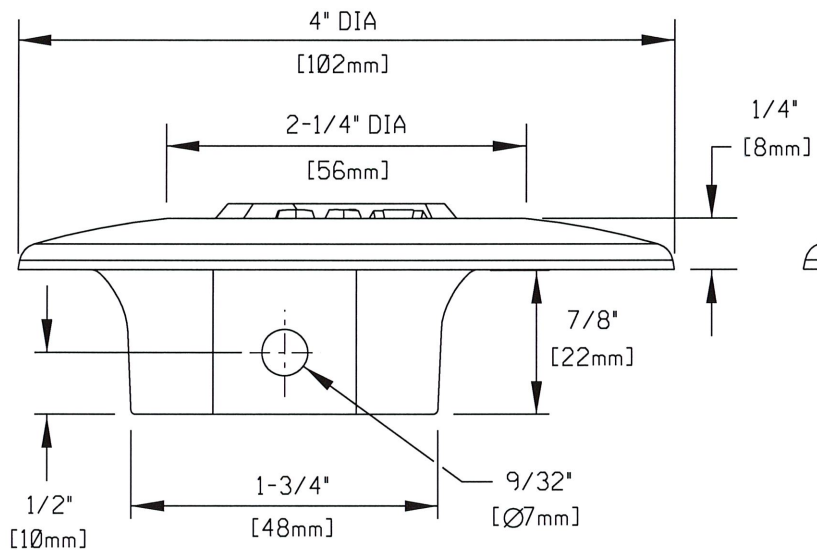
PATH NAME: /E1/PARTS/STD/DGN\_STDS/508-OFFSET-PLUG.DGN LFM 05/25/2012



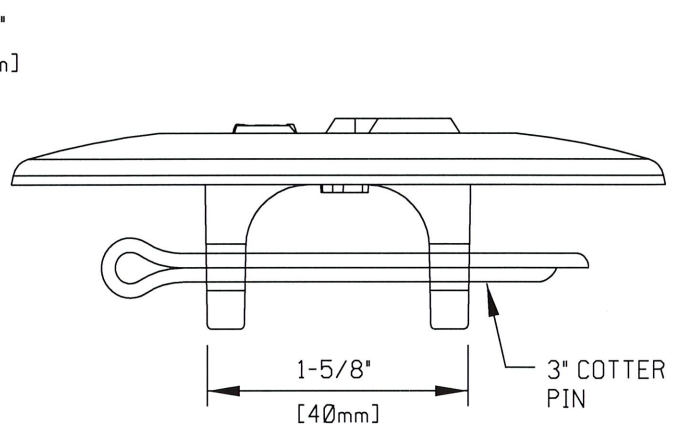
TOP VIEW



BOTTOM VIEW



SIDE VIEW



SIDE VIEW

OFFSET PLUG	
CITY OF TULSA, OKLAHOMA ENGINEERING SERVICES DEPARTMENT	
DRAWN BY: R.M.O. CHECKED BY: <i>HAS</i> DATE: MARCH 2022	APPROVED <i>[Signature]</i>
NOT TO SCALE	STANDARD NO. 508