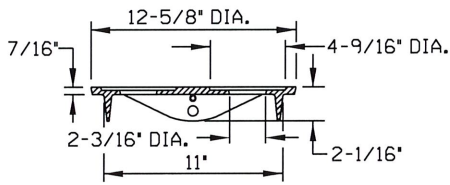
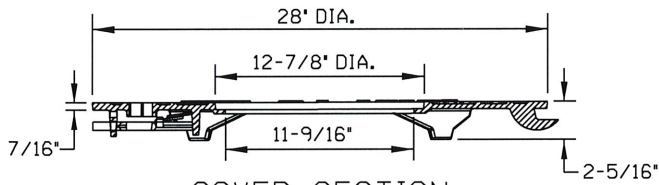


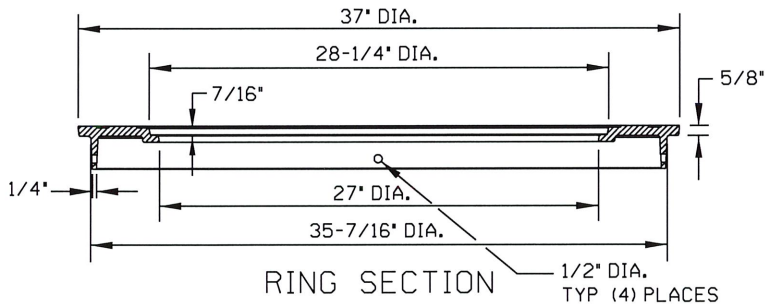
TOP VIEW



COVER SECTION

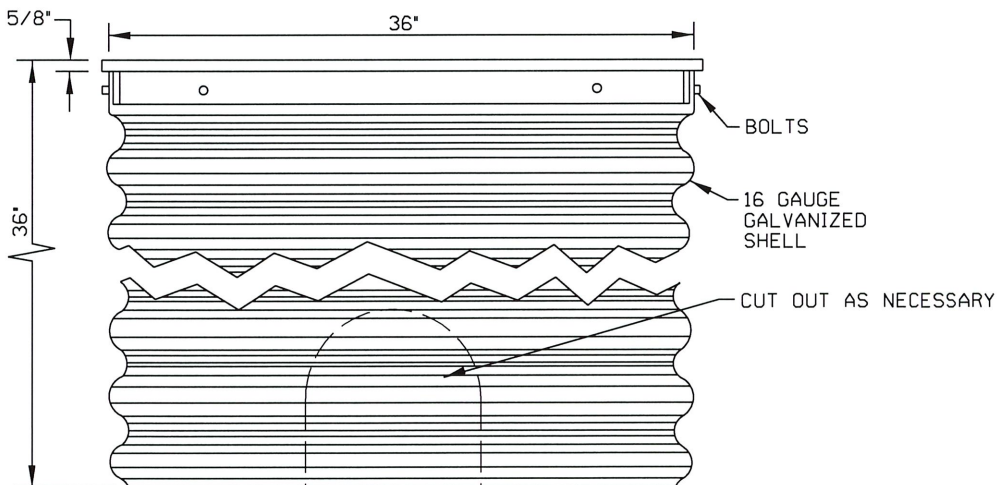


COVER SECTION



RING SECTION

1/2" DIA.
TYP (4) PLACES



METER CAN WITH RIM AND LID
FOR 2" WATER METER INSTALLATION

CITY OF TULSA, OKLAHOMA
ENGINEERING SERVICES DEPARTMENT

DRAWN BY: R.M.O.

CHECKED BY: *HAS*

DATE: MARCH 2022

APPROVED

[Signature]

NOT TO SCALE

STANDARD NO. 507