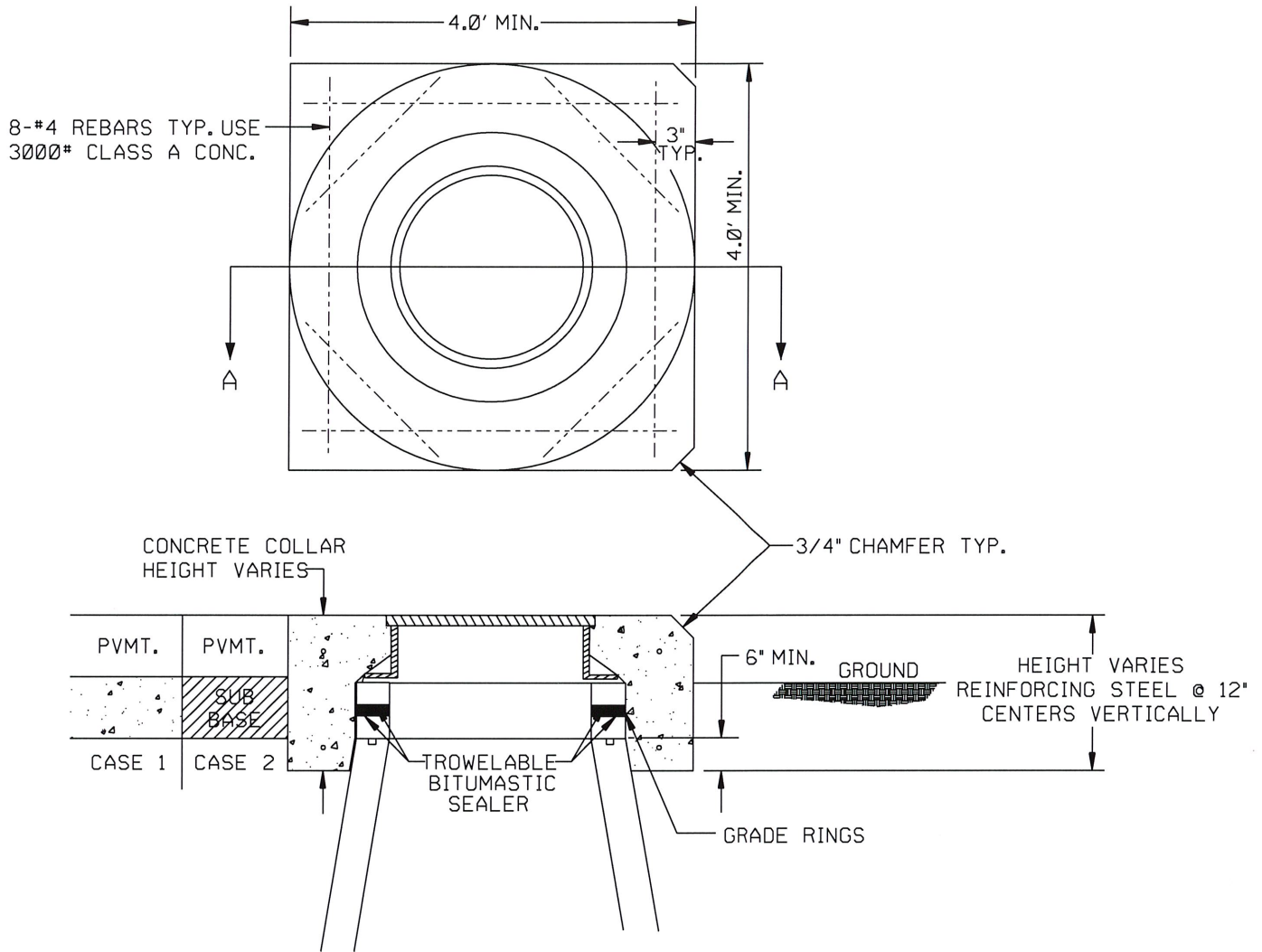


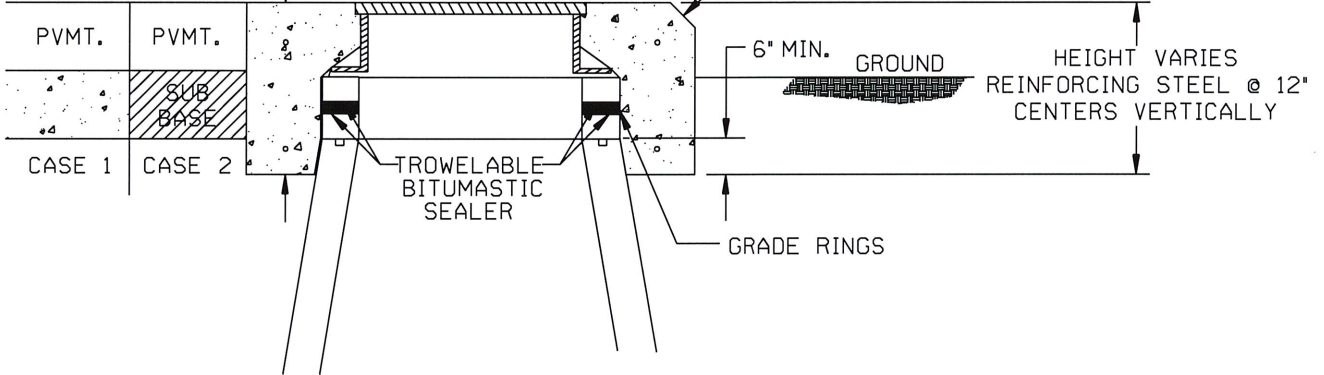
PAVED

UNPAVED



CONCRETE COLLAR
HEIGHT VARIES

3/4" CHAMFER TYP.



SECTION A-A

CASE 1
 COLLAR SHALL EXTEND TO
 TOP OF CONCRETE
 (REBAR REQ.)

CASE 2
 COLLAR SHALL EXTEND 3" BELOW
 BOTTOM OF LOWEST GRADE RING
 (REBAR REQ.)

CONCRETE MANHOLE COLLAR DETAILS
CIRCULAR OR RECTANGULAR

NOT TO SCALE

PATH NAME: /E1/PARTS/STD/DGN.STDS/409-CONC-MH-COLLAR.DGN CLC 07/18/2012

CONCRETE MANHOLE COLLAR	
CITY OF TULSA, OKLAHOMA ENGINEERING SERVICES DEPARTMENT	
DRAWN BY: R.M.O. CHECKED BY: <i>HAS</i> DATE: MARCH 2022	APPROVED: <i>[Signature]</i>
NOT TO SCALE	STANDARD NO. 409