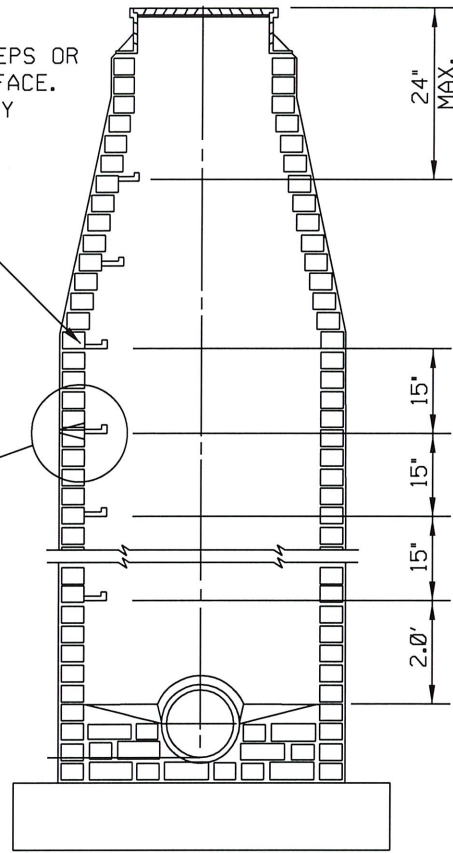
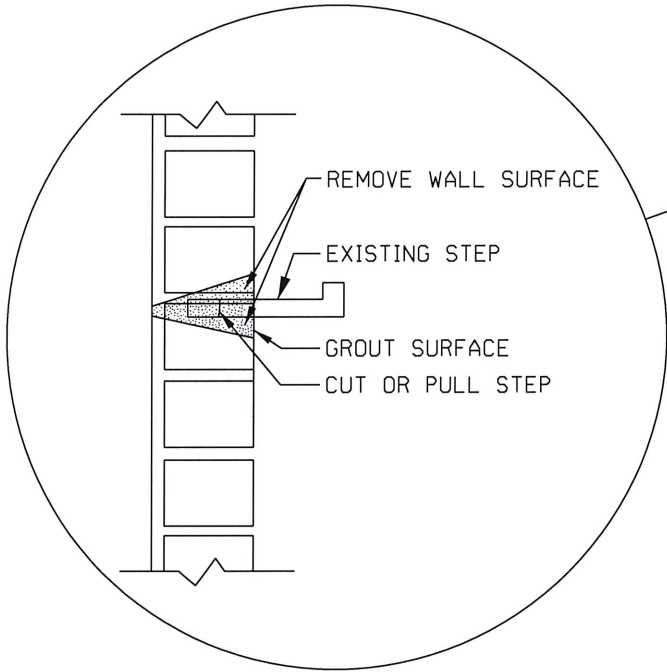


IF LOOSE, PULL EXISTING STEPS OR CUT 1" MIN. BELOW WALL SURFACE. PATCH HOLE WITH HIGH EARLY STRENGTH GROUT.



STEP REMOVAL DETAIL
NOT TO SCALE

NOTE:

SEE SPECIAL CONDITIONS FOR DETAILED CONSTRUCTION SPECIFICATIONS

1. MANHOLE SHALL BE THOROUGHLY CLEANED AND LOOSE DEBRIS REMOVED PRIOR TO BEGINNING REHABILITATION. CONTRACTOR SHALL PLACE COVERS OVER INVERT AS NEEDED TO PROTECT INVERT FLOW LINE.
2. REMOVE EXISTING STEPS BY PULLING OR CUTTING 1" MIN. BELOW INSIDE SURFACE OF MANHOLE.
3. ALL CRACKS, SPALLS OR HOLES GREATER THAN 3/4" DEEP OR 3/8" WIDE SHALL BE PATCHED, USING EPOXY COATING AND GROUT FOLLOWING MANUFACTURER'S SPECIFICATIONS. HOLES SHALL BE PRIMED AND FILLED WITH EPOXY GROUT IN LIFTS NO GREATER THAN 2".
4. RE-INSTALL APPROVED STEPS.

STEP REMOVAL	
CITY OF TULSA, OKLAHOMA ENGINEERING SERVICES DEPARTMENT	
DRAWN BY: R.M.O. CHECKED BY: <i>IRAS</i> DATE: MARCH 2022	APPROVED
NOT TO SCALE	STANDARD NO. 404