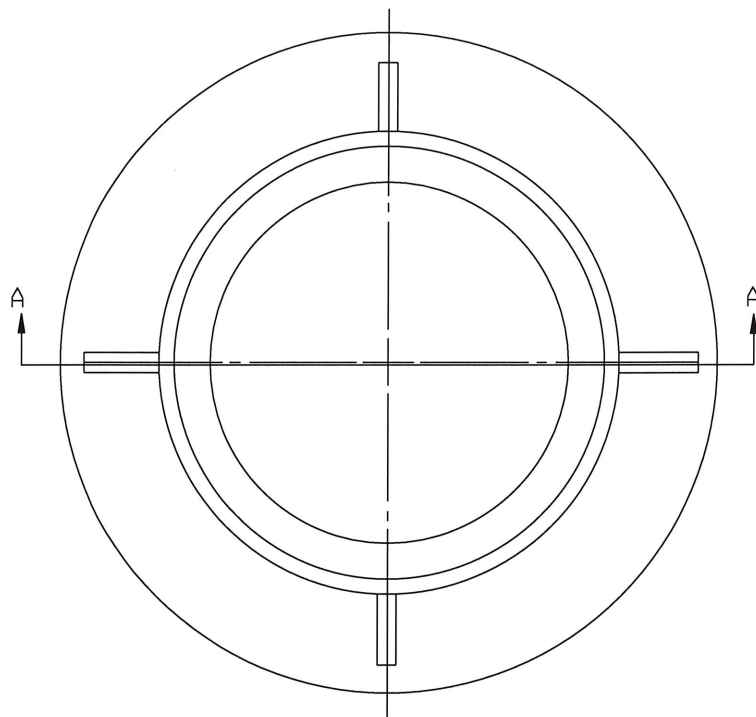
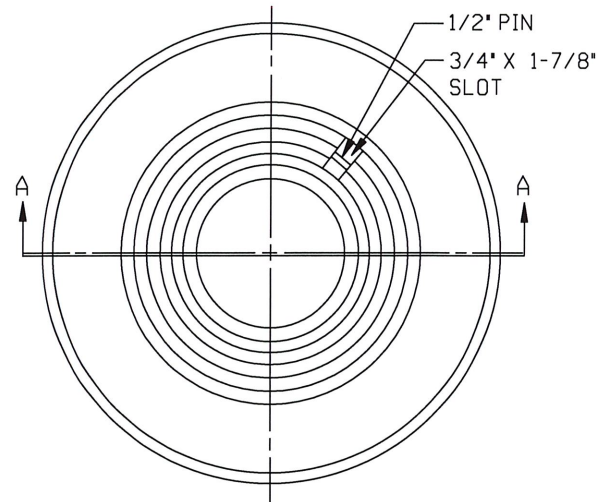


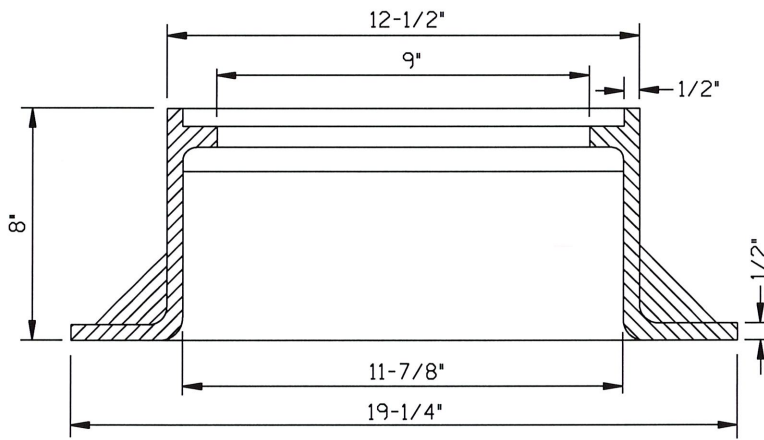
PATH NAME: /E1/PARTS/STD/DGN/STDS/360-LAMPHOLES.DGN LFM 05/24/2012



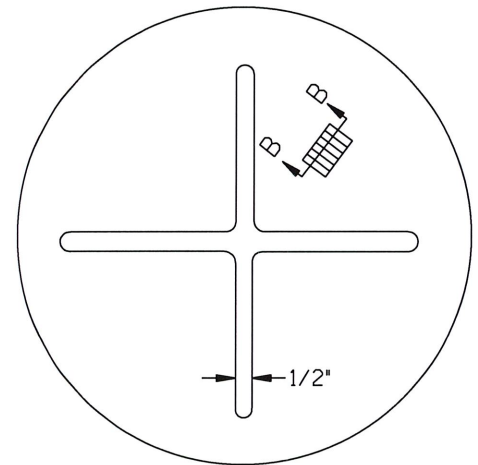
PLAN



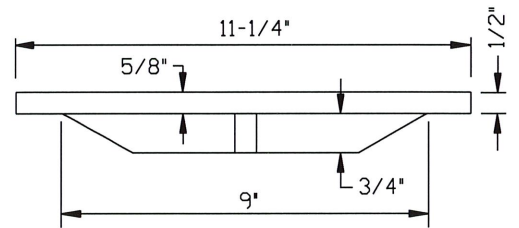
TOP OF COVER



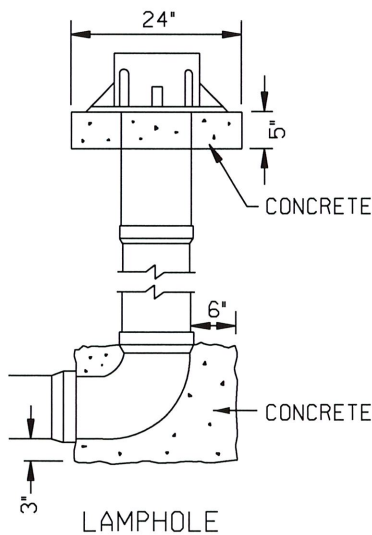
SECTION "A-A"  
LAMPHOLE FRAME



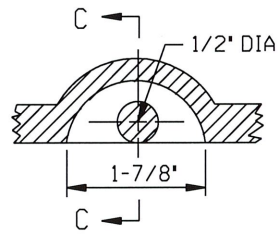
BOTTOM OF COVER



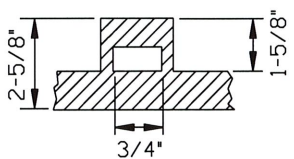
SECTION "A-A"  
LAMPHOLE COVER



LAMPHOLE



SECTION "B-B"



SECTION "C-C"  
LIFTING EYE DETAIL

STANDARD DETAIL FRAME AND LID FOR LAMPHOLES	
CITY OF TULSA, OKLAHOMA ENGINEERING SERVICES DEPARTMENT	
DRAWN BY: R.M.O. CHECKED BY: <i>HAS</i> DATE: MARCH 2022	APPROVED <i>[Signature]</i>
NOT TO SCALE	STANDARD NO. 360