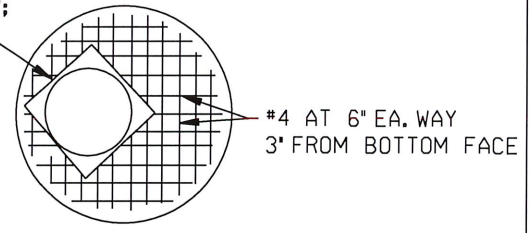
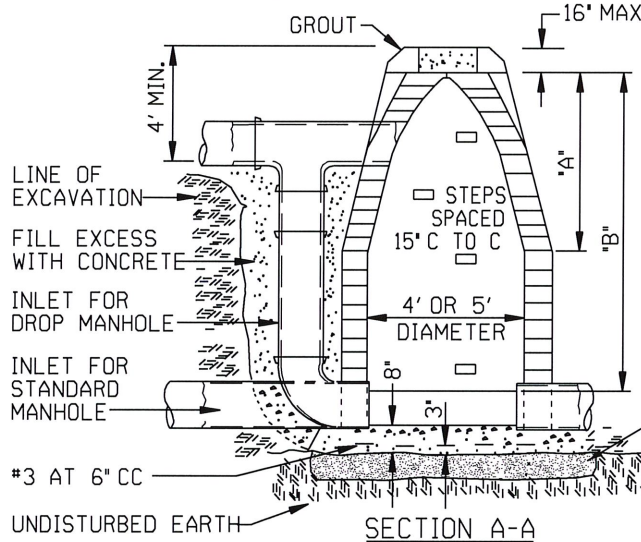


8 EACH #4 BAR X 2'-6";
DIAG. TO MAIN REINF.



NOTE:
21" TO 36" PIPE = MH, 6' I.D.

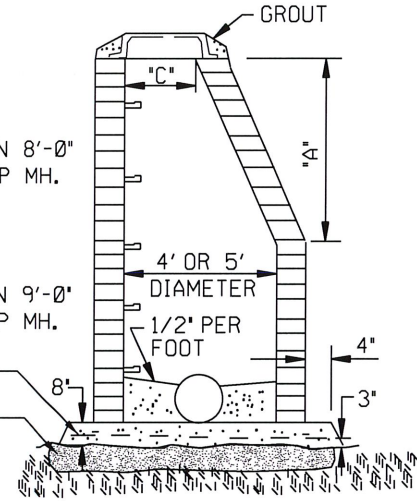
CONCRETE SLAB
REINFORCEMENT PLAN



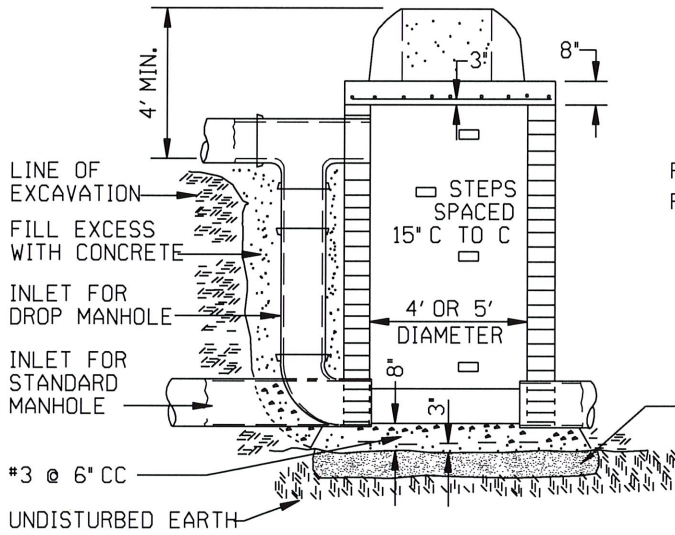
SECTION A-A
FOR ECCENTRIC TAPER MANHOLE

FOR 4' MH:
A=5'-0" C=24"
IF 'B' IS LESS THAN 8'-0"
USE FLAT SLAB TOP MH.

FOR 5' MH:
A=6'-0" C=30"
IF 'B' IS LESS THAN 9'-0"
USE FLAT SLAB TOP MH.

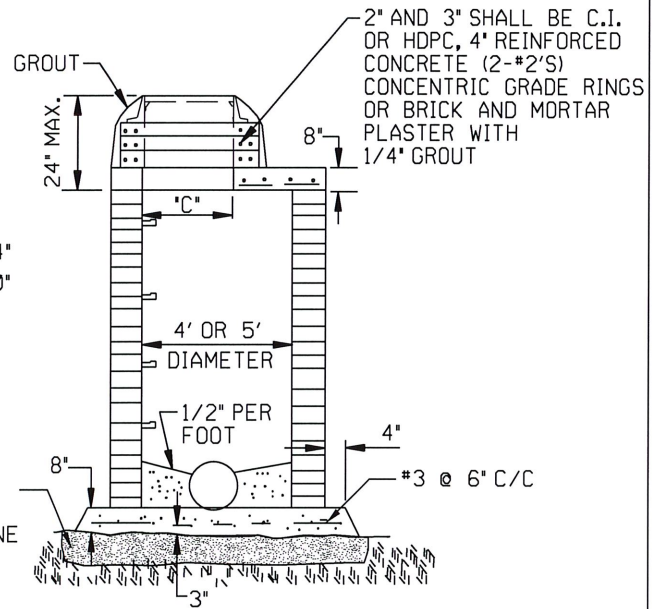


SECTION B-B
FOR ECCENTRIC TAPER MANHOLE



SECTION A-A
FOR FLAT SLAB TOP MANHOLE

FOR 4' MH.: C=24"
FOR 5' MH.: C=30"



SECTION B-B
FOR FLAT SLAB TOP MANHOLE

NOTE:

1. BRICK MANHOLES SHALL HAVE ECCENTRIC ENTRANCES AND SHALL BE EITHER THE FLAT SLAB OR ECCENTRIC TAPER TYPE SUBJECT TO THE SPECIFIED RESTRICTIONS.
2. 16' DEEP OR LESS = 8" WALL THICKNESS
MORE THAN 16' DEEP = 12" WALL THICKNESS
3. PLASTER INSIDE AND OUT WITH 1" CEMENT PLASTER OR 1/2" WITH ONE COAT OF A BITUMINOUS WATER PROOFING COMPOUND.
4. SEE SPECIFICATIONS FOR USE OF CONCRETE MASONRY UNITS.
5. THE TOP STEP SHALL BE NOT MORE THAN 27" AND NOT LESS THAN 18" FROM THE TOP OF THE LID.
6. THE MINIMUM INVERT DEPTH SHALL BE 3/4 TIMES THE PIPE DIAMETER.

SPECIAL DETAIL FOR BRICK MANHOLE (SPECIAL APPROVAL ONLY)	
CITY OF TULSA, OKLAHOMA ENGINEERING SERVICES DEPARTMENT	
DRAWN BY: R.M.O.	APPROVED
CHECKED BY: <i>HRS</i>	<i>[Signature]</i>
DATE: MARCH 2022	
NOT TO SCALE	STANDARD NO. 355