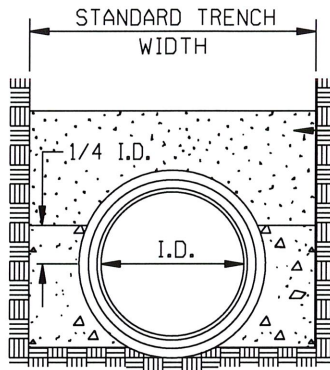


CONCRETE ENCASEMENT

CONCRETE PER LIN. FT.

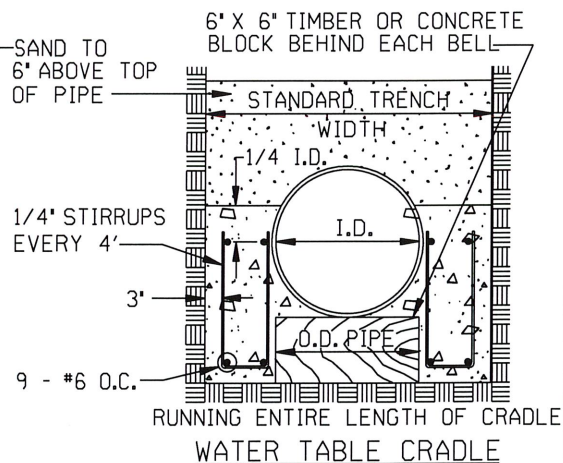
8" I.D. CIP, VCP, RCP	1.41	CU.FT.
10" I.D.	1.67	
12" I.D.	1.93	
15" I.D.	2.36	
18" I.D.	2.81	
21" I.D.	3.27	
24" I.D.	3.76	
27" I.D.	4.26	
30" I.D. CIP, VCP	4.78	
30" I.D. RCP	5.09	
36" I.D. CIP, VCP	5.80	
36" I.D. RCP	6.20	



CONCRETE CRADLE

CONCRETE PER LIN. FT.

8" I.D. CIP, VCP, RCP	1.09	CU.FT.
10" I.D.	1.23	
12" I.D.	1.33	
15" I.D.	1.66	
18" I.D.	2.00	
21" I.D.	1.96	
24" I.D.	2.69	
27" I.D.	3.52	
30" I.D. CIP, VCP	3.38	
30" I.D. RCP	4.40	
36" I.D. CIP, VCP	4.12	
36" I.D. RCP	5.26	



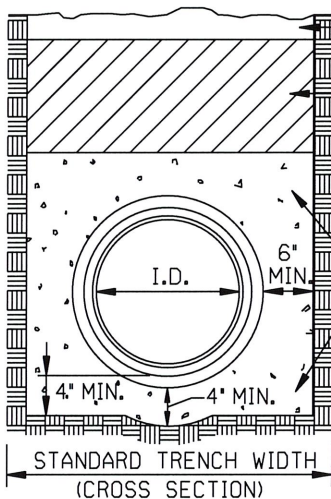
WATER TABLE CRADLE

CONCRETE PER LIN. FT.

8" I.D. CIP, VCP, RCP	2.34	CU.FT.
10" I.D.	2.48	
12" I.D.	2.58	
15" I.D.	3.04	
18" I.D.	3.50	
21" I.D.	3.46	
24" I.D.	4.44	
27" I.D.	5.52	
30" I.D. CIP, VCP	5.38	
30" I.D. RCP	6.65	
36" I.D. CIP, VCP	6.37	
36" I.D. RCP	7.76	

I.D. PIPE	STANDARD TRENCH WIDTH
2" - 12"	30"
14" - 18"	36"
20" - 24"	42"
26" - 30"	54"
32" - 36"	60"
38" - 42"	66"
44" - 48"	72"
50" - 54"	78"
56" - 60"	84"
66" - 72"	108"

NOTE:  
ALL FINISHED SUB-GRADES SHALL BE PREPARED ACCURATELY BY MEANS OF HAND TOOLS.

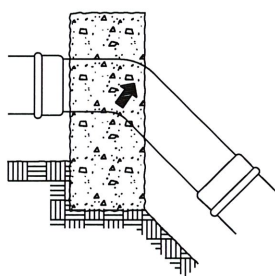
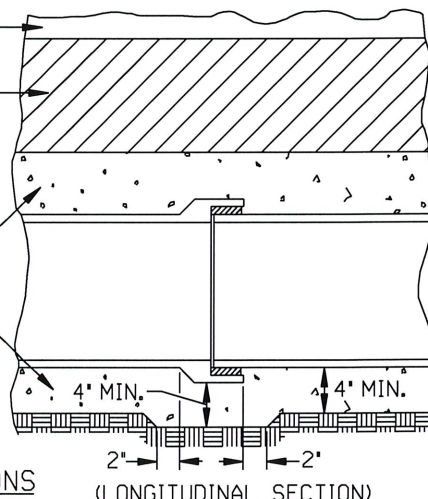


BACKFILL IN 8" LAYERS  
1'-0" SELECTED BACKFILL

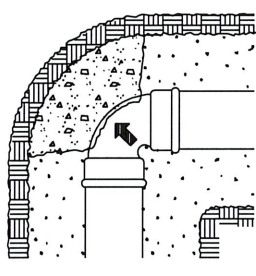
PIPE BEDDING TO 6" ABOVE TOP OF PIPE

NOTE:  
REFER TO STD. BEDDING DETAILS.

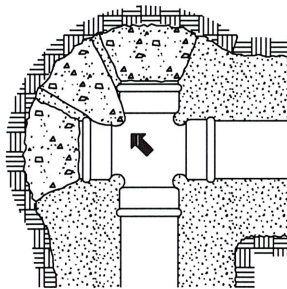
TRENCH CONDITIONS



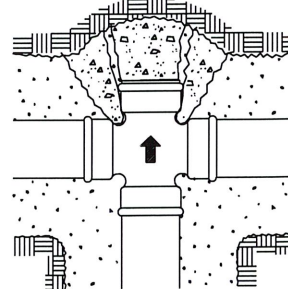
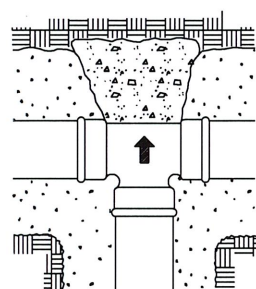
10" AND LARGER



2" - 8" PIPE



THRUST BLOCKS



STANDARD DETAIL  
THRUST BLOCKS AND TRENCH CONDITIONS

CITY OF TULSA, OKLAHOMA  
ENGINEERING SERVICES DEPARTMENT

DRAWN BY: R.M.O.  
CHECKED BY: HAS  
DATE: MARCH 2022

APPROVED  
*[Signature]*

NOT TO SCALE

STANDARD NO. 315