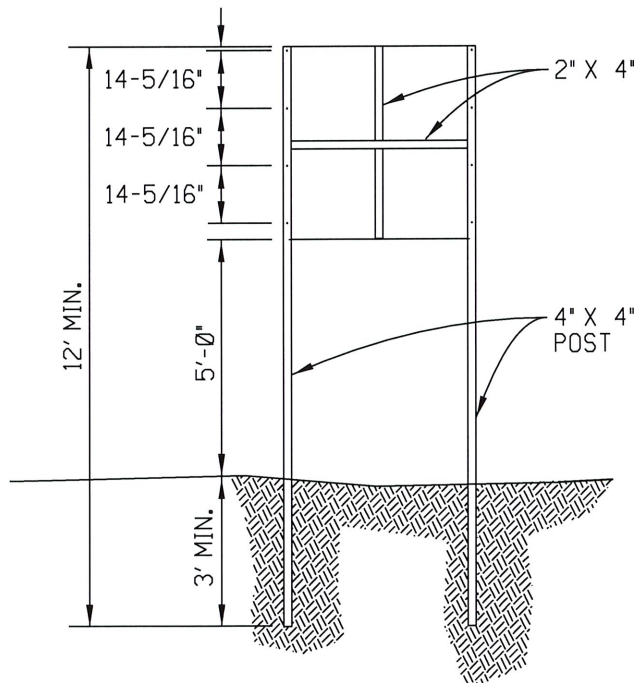


**NOTE:** SIGN TO BE CONSTRUCTED FROM 4' X 8' X 1/2" EXTERIOR PLYWOOD AND MOUNTED ON THE BACK BY 4" X 4" WOOD FENCE POSTS.

**PAINT:** FACE AND REAR - 2 COATS WHITE EXTERIOR ENAMEL (BACKGROUND).  
**LETTERING:** SILK-SCREEN ENAMEL, BLUE.

**BOLTS:** 3/8" DIAMETER W/2 FLAT WASHERS AND NUT (8 REQUIRED).

**NAILS:** 2" GALVANIZED ON 8" CENTERS.



GUIDELINES FOR BLASTING SIGN	
CITY OF TULSA, OKLAHOMA ENGINEERING SERVICES DEPARTMENT	
DRAWN BY: R.M.O.	APPROVED
CHECKED BY: <i>HAS</i>	<i>[Signature]</i>
DATE: MARCH 2022	
NOT TO SCALE	STANDARD NO. 103